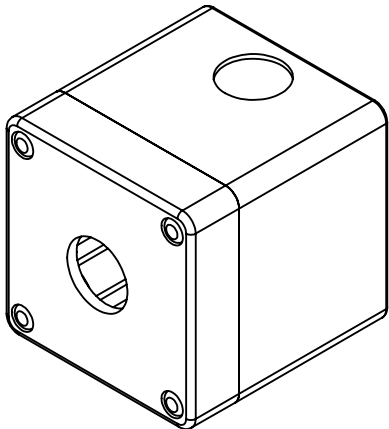
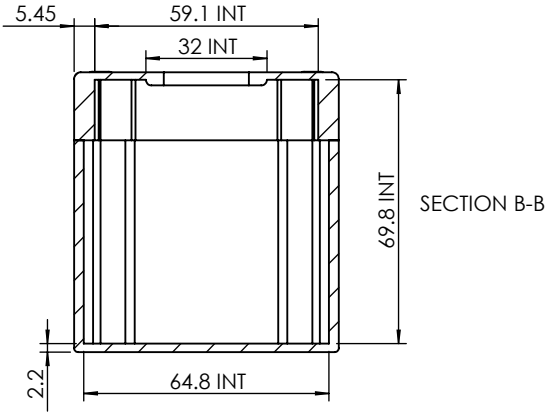




ISO VIEW
1:2



SECTION A-A
Cut-out Dimensions



 CAMDENBOSS JAMES CARTER RD, MILDENHALL, SUFFOLK. IP28 7DE TEL: 01638 716101 FAX: 01638 716554 EMAIL: Sales@CamdenBoss.com WEB: www.CamdenBoss.com			UNLESS OTHERWISE SPECIFIED: DIMENSIONS ARE IN MILLIMETERS	DO NOT SCALE DRAWING	REVISION. <input type="checkbox"/>
			GENERAL TOLERANCES +/- 0.2	TITLE: GENERAL DIMENSION DRAWING FOR SINGLE BUTTON CONTROL STATION	
DRAWN: LEWIS LETCHFORD			FINISH: FINE TEXTURE	MATERIAL: ABS	DWG NO. CCS03GY01
NAME	SIGNED	DATE	MATERIAL.	ABS	DWG NO.
CHK'D	-	-	PROJECTION.		SCALE: 1:2
					SHEET 1 OF 1