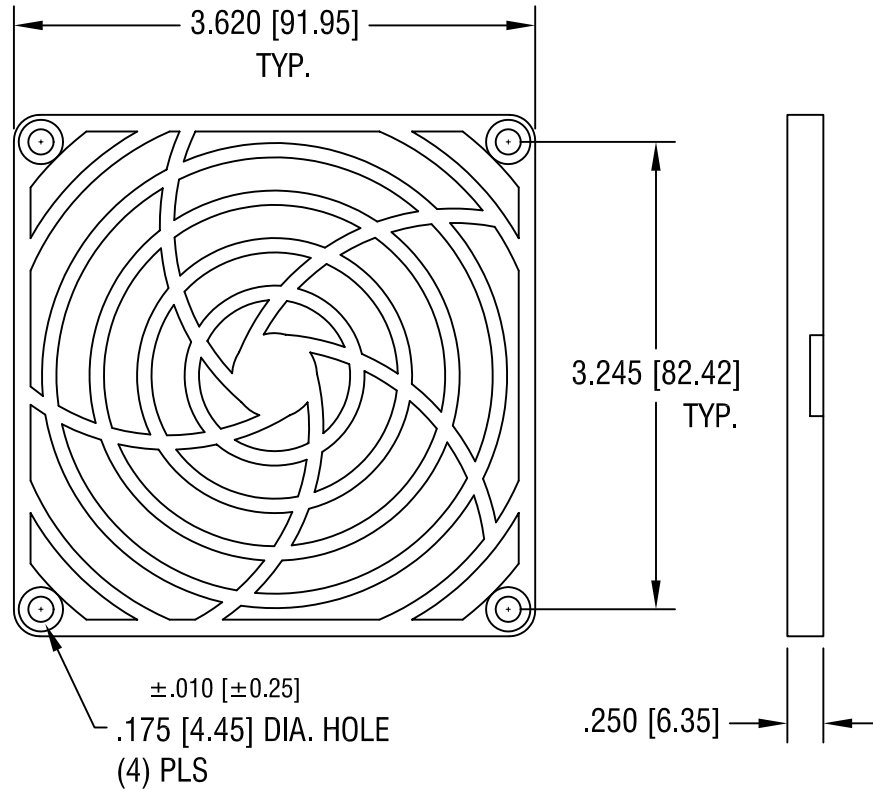


THIS DOCUMENT IS THE PROPERTY OF  
KEYSTONE ELECTRONICS CORP. AND  
SHALL NOT BE REPRODUCED, DISTRIBUTED  
OR USED AS A BASIS FOR MANUFACTURE  
WITHOUT PRIOR WRITTEN PERMISSION  
FROM KEYSTONE ELECTRONICS CORP.



**KEYSTONE ELECTRONICS CORP.**

ASTORIA, N.Y. 11105-2017

PART NAME

STANDARD FAN GUARD

MATERIAL

ABS UL 94V-0

FINISH

-

DRN BY

BOONE

DATE

10.17.97

APPD

LN

SCALE

.75X

7.31.00 CHANGE AS PER ECN 00-072

A

TOLERANCES

INCH [MM]

DECIMAL ±.020 [±0.50]

ANGULAR ± 1°

UNLESS OTHERWISE SPECIFIED

CODE

C/M

DWG NO.

8462

DATE

DESCRIPTION

REV.