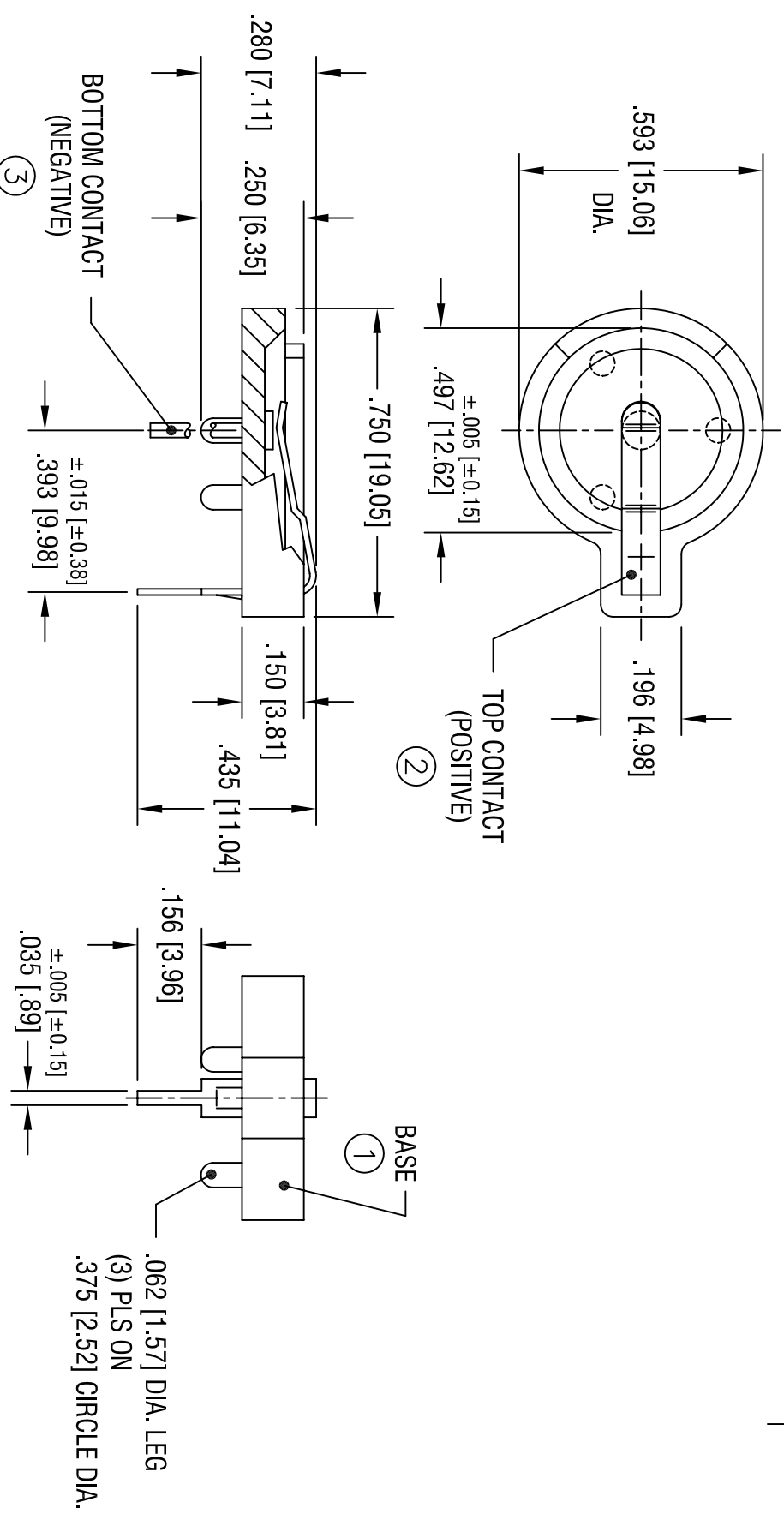
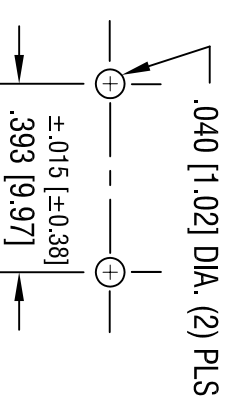


DATE	DESCRIPTION	REV.
2.9.05	CHANGE AS PER ECN 05-013	H



**MOUNTING DETAIL**



ITEM	DESCRIPTION/MATERIAL
①	BASE, BLACK PBT (UL 94V-0)
②	TOP CONTACT .015 [0.38] TH'K SPRING STEEL
③	BOTTOM CONTACT .035 [0.89] DIA. STEEL

FINISH
TIN NICKEL PLATE

**KEYSTONE ELECTRONICS CORP.**  
ASTORIA, N.Y. 11105-2017

PART NAME  
12mm PC BATTERY HOLDER

MATERIAL  
AS NOTED

FINISH  
AS NOTED

TOLERANCES	INCH	[MM]	CODE	DWG NO.
DECIMAL	± .010	[± 0.25 ]	C	500
ANGULAR	± 1°			

THIS DOCUMENT IS THE PROPERTY OF  
KEYSTONE ELECTRONICS CORP. AND  
SHALL NOT BE REPRODUCED, DISTRIBUTED  
OR USED AS A BASIS FOR MANUFACTURE  
WITHOUT PRIOR WRITTEN PERMISSION  
FROM KEYSTONE ELECTRONICS CORP.

DRN BY  
BOONE

DATE  
1.4.91

App'd  
LN

SCALE  
2.5X