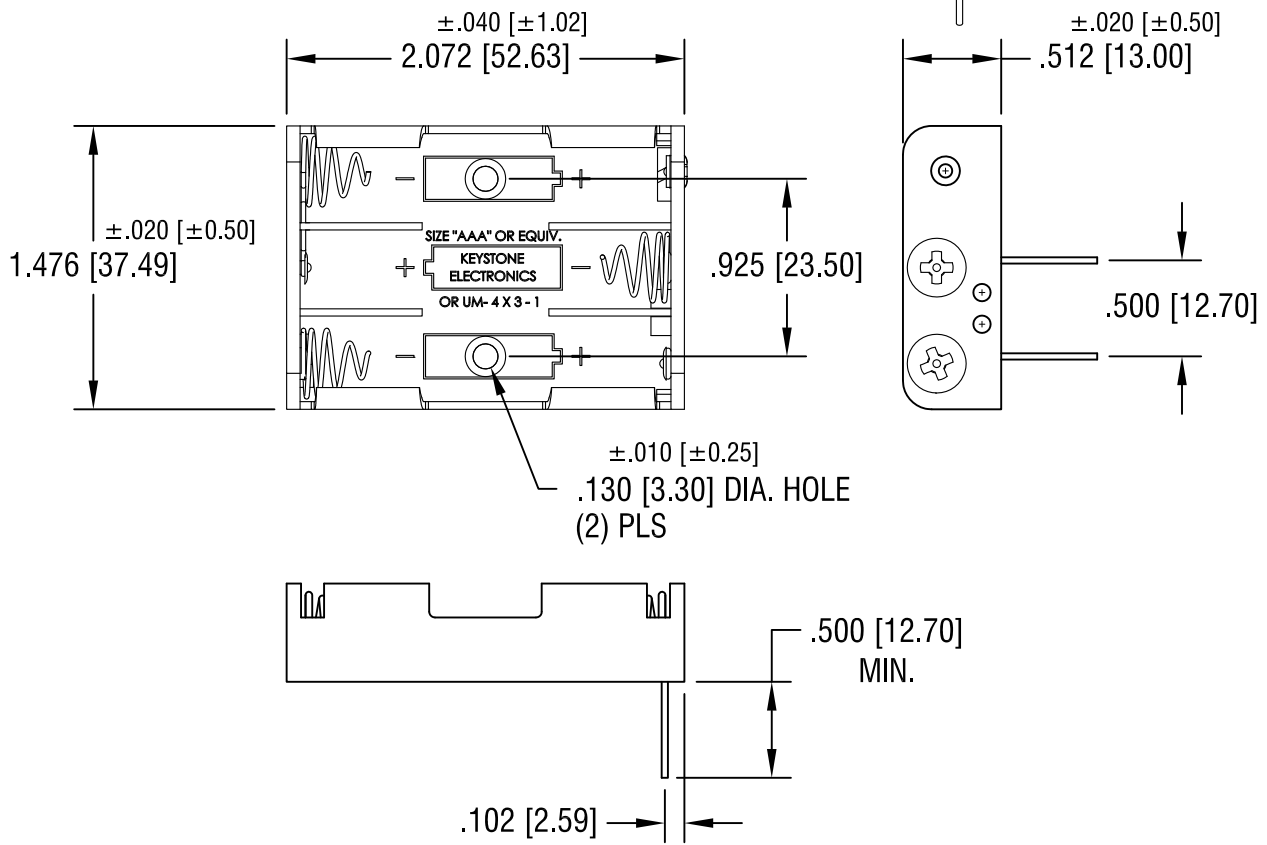
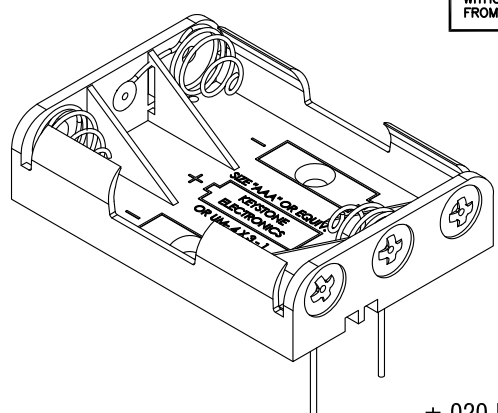
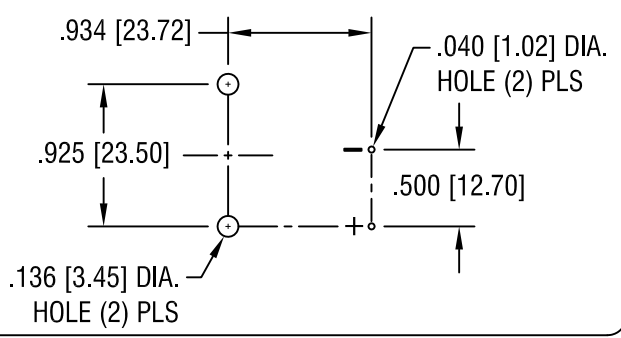


THIS DOCUMENT IS THE PROPERTY OF KEYSTONE ELECTRONICS CORP. AND SHALL NOT BE REPRODUCED, DISTRIBUTED OR USED AS A BASIS FOR MANUFACTURE WITHOUT PRIOR WRITTEN PERMISSION FROM KEYSTONE ELECTRONICS CORP.

**MOUNTING DETAIL**



**NOTE:**

- 1. HOLDER: MAT'L: POLYPROPYLENE
- SPRING: MAT'L: MUSIC WIRE, .024 [0.60] DIA.
- PC TERMINALS: MAT'L: BRASS, .032 [0.81] DIA.

**KEYSTONE ELECTRONICS CORP.**  
ASTORIA, N.Y. 11105-2017

PART NAME				PC BATTERY HOLDER (3) 'AAA'							
MATERIAL								AS NOTED			
FINISH				DRN BY		DATE		APP'D		SCALE	
NICKEL PLATE				BOONE		6.9.99				1X	
TOLERANCES				INCH		[MM]		CODE		DWG NO.	
DECIMAL				$\pm .015$		[ $\pm 0.38$ ]		C/M		2479	
ANGULAR				$\pm 1^\circ$		UNLESS OTHERWISE SPECIFIED					

6.12.09	CHANGE AS PER ECN 09-068	D
9.13.08	CHANGE AS PER ECN 08-153	C
12.17.07	CHANGE AS PER ECN 07-086	B
11.15.99	CHANGE AS PER ECN 99-088	A
DATE	DESCRIPTION	REV.