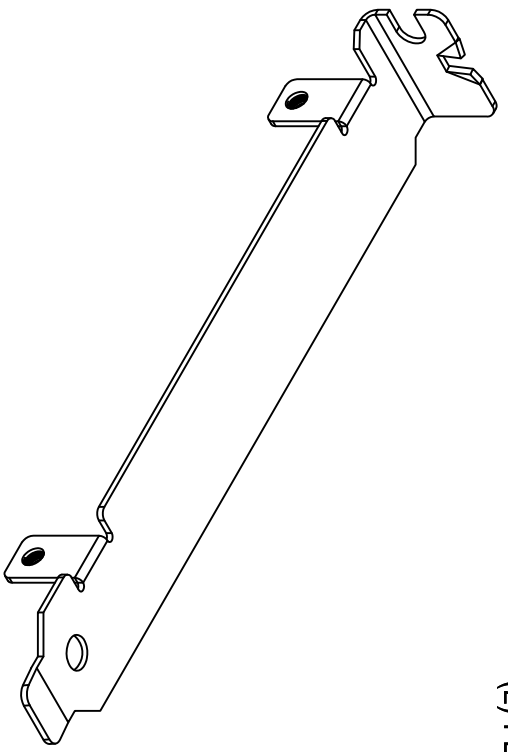
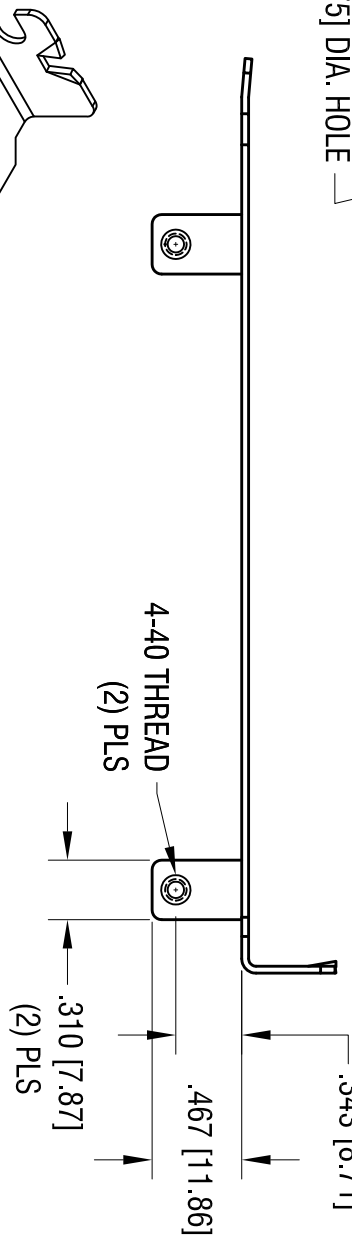
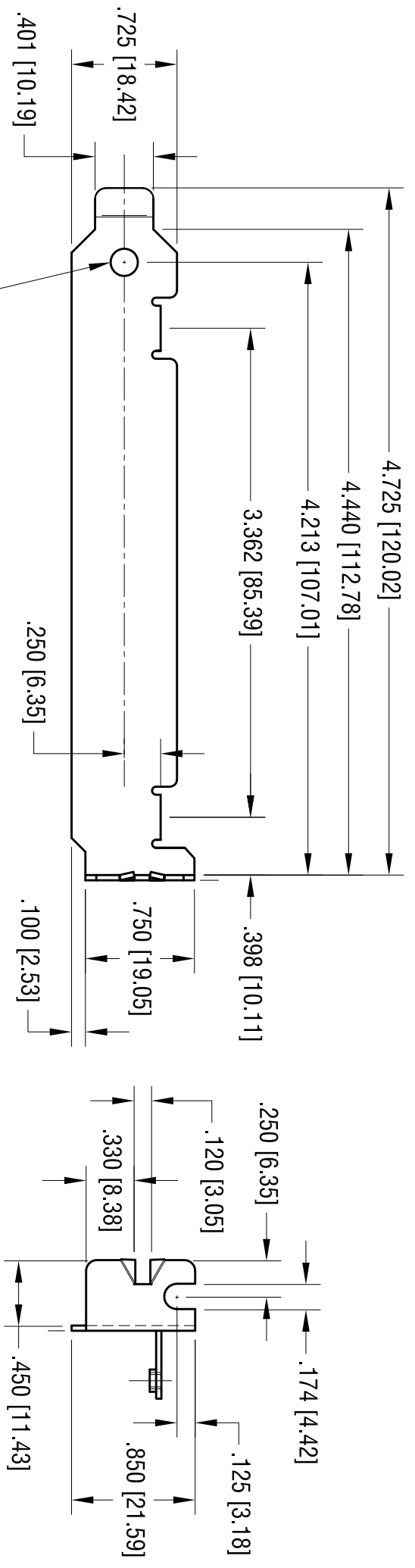


DATE	DESCRIPTION	REV.
3.12.09	CHANGE AS PER ECN 09-017	A



KEYSTONE ELECTRONICS CORP.			
ASTORIA, N.Y. 11105-2017			
PART NAME		COMPUTER BRACKET	
MATERIAL		.036 [0.91] THK STEEL	
FINISH		NICKEL PLATE	
TOLERANCES	INCH	[MM]	CODE
DECIMAL	$\pm .015$	[± 0.38]	C
ANGULAR	$\pm 1^\circ$		
UNLESS OTHERWISE SPECIFIED			
DRN BY	BOONE	DATE	6.15.98
APP'D	LN	SCALE	1X
DWG NO.		9203	

THIS DOCUMENT IS THE PROPERTY OF KEYSTONE ELECTRONICS CORP. AND SHALL NOT BE REPRODUCED, DISTRIBUTED OR USED AS A BASIS FOR MANUFACTURE WITHOUT PRIOR WRITTEN PERMISSION FROM KEYSTONE ELECTRONICS CORP.