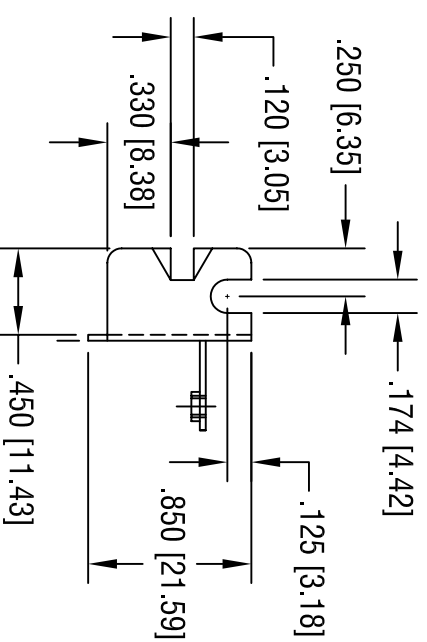
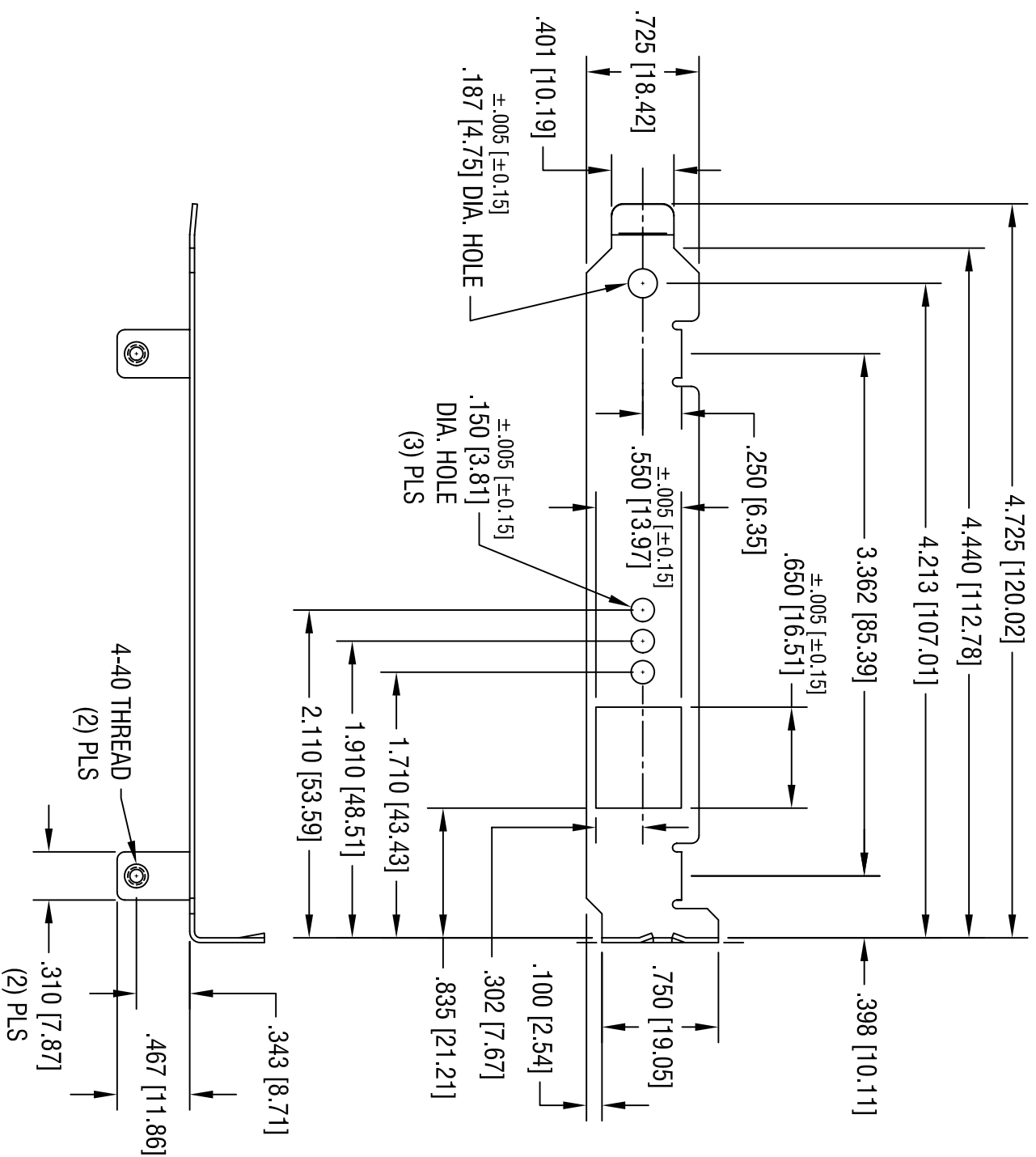


DATE

DESCRIPTION

REV.



KEYSTONE ELECTRONICS CORP.

ASTORIA, N.Y. 11105-2017

PART NAME

COMPUTER BRACKET

MATERIAL

.032 [0.81] THK STEEL

FINISH

NICKEL PLATE

TOLERANCES

INCH [MM]
 DECIMAL ± .015 [± 0.38]
 ANGULAR ± 1°

CODE

C

DWG NO.

9203-2

DRN BY

BOONE

DATE

6.15.98

APPD

SCALE

1X

THIS DOCUMENT IS THE PROPERTY OF
 KEYSTONE ELECTRONICS CORP. AND
 SHALL NOT BE REPRODUCED, DISTRIBUTED
 OR USED AS A BASIS FOR MANUFACTURE
 WITHOUT PRIOR WRITTEN PERMISSION
 FROM KEYSTONE ELECTRONICS CORP.