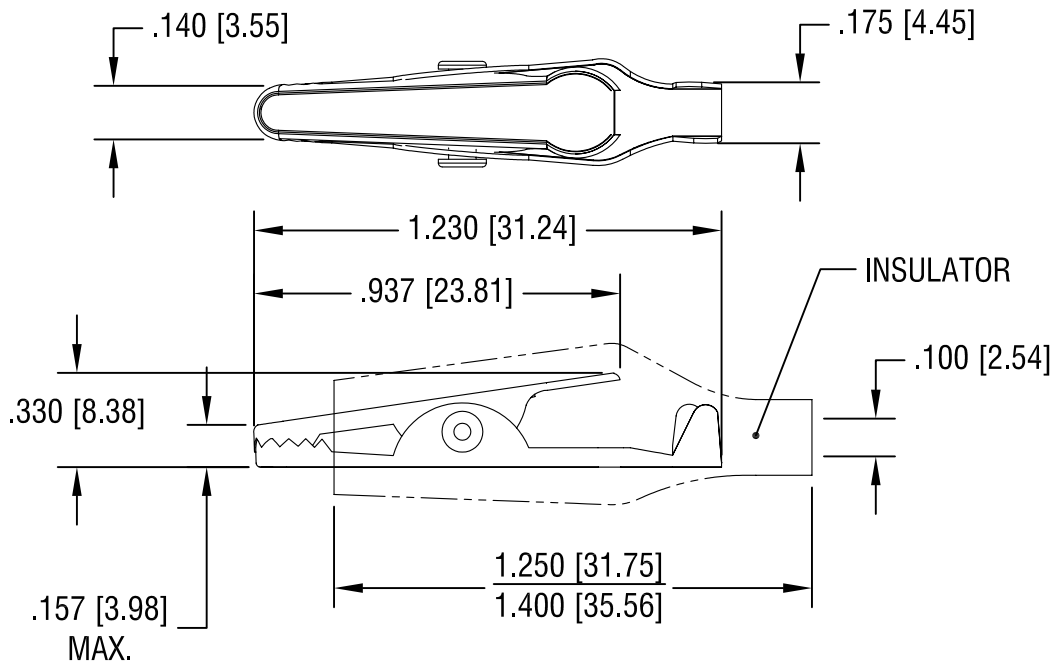
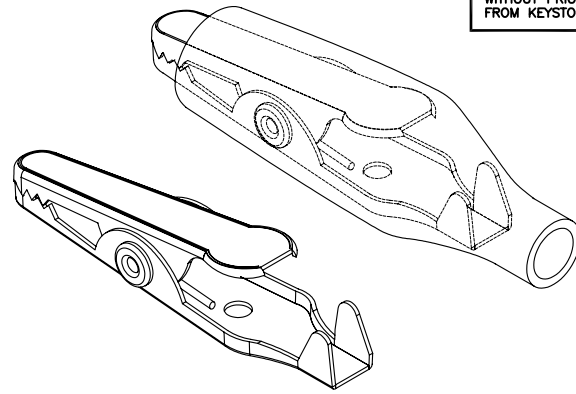


THIS DOCUMENT IS THE PROPERTY OF  
KEYSTONE ELECTRONICS CORP. AND  
SHALL NOT BE REPRODUCED, DISTRIBUTED  
OR USED AS A BASIS FOR MANUFACTURE  
WITHOUT PRIOR WRITTEN PERMISSION  
FROM KEYSTONE ELECTRONICS CORP.



PART NO.	COLOR, VINYL INSULATOR
5033	NO INSULATOR
5034	RED
5035	BLACK
5036	GREEN
5037	YELLOW

**KEYSTONE ELECTRONICS CORP.**

www.keyelco.com • ASTORIA, N.Y. 11105-2017 • Tel (718) 956-8900

PART NAME		SMALL ALLIGATOR CLIP	
MATERIAL		STEEL	
FINISH		DRN BY	DATE
NICKEL PLATE		BOONE	11.18.82
		APP'D	SCALE
		LN	2X
TOLERANCES		INCH	[MM]
DECIMAL		± .020	[± 0.50]
ANGULAR		± 1°	
UNLESS OTHERWISE SPECIFIED		CODE	DWG NO.
		C/M	5033-5037

11.06.08	CHANGE AS PER ECN 08-175	B
10.28.93	UPDATE ALL DIM'S & TOL.	A
DATE	DESCRIPTION	REV.