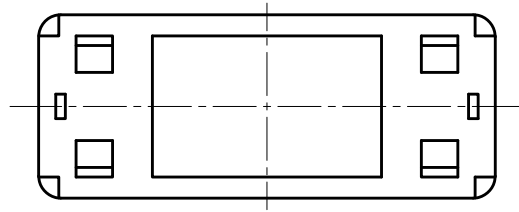
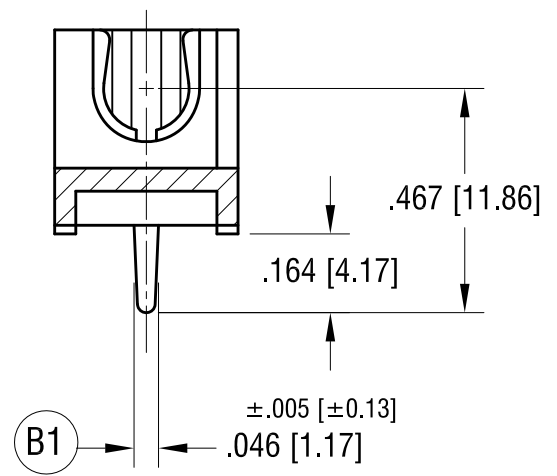
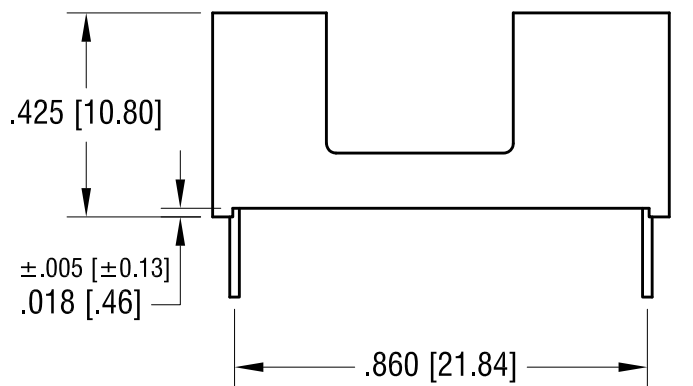
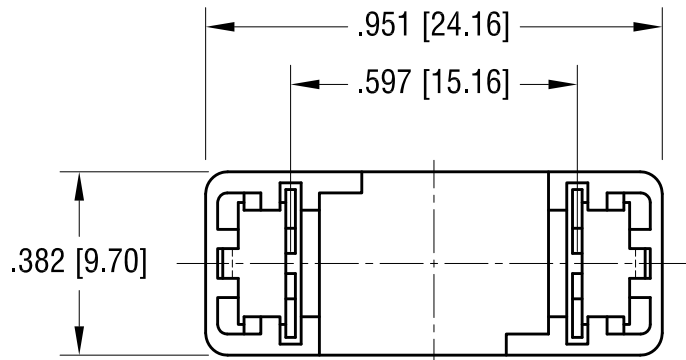


THIS DOCUMENT IS THE PROPERTY OF  
KEYSTONE ELECTRONICS CORP. AND  
SHALL NOT BE REPRODUCED, DISTRIBUTED  
OR USED AS A BASIS FOR MANUFACTURE  
WITHOUT PRIOR WRITTEN PERMISSION  
FROM KEYSTONE ELECTRONICS CORP.



NOTES:

- 1. BASE: MAT'L - NYLON UL 94V-0  
CONTACT: MAT'L - .020 [0.50] TH'K BRASS  
FINISH - TIN PLATE
- 2. MOUNTING HOLES (2): .052 [1.32] DIA.

1.16.18	Ⓟ WAS .051±.005 CHANGE AS PER ECN 18-006	B
11.18.98	CHANGE AS PER ECR 96-055	A
DATE	DESCRIPTION	REV.

<b>KEYSTONE ELECTRONICS CORP.</b>			
www.keyelco.com • NEW HYDE PARK, NY 11040 • Tel (516) 328-7500			
PART NAME		5mm PC FUSE HOLDER	
MATERIAL		AS NOTED	
FINISH	AS NOTED	DRN BY	NT
		APP'D	LN
		DATE	5.12.94
		SCALE	2.5X
TOLERANCES	INCH [MM]	CODE	DWG NO.
DECIMAL	±.010 [±0.25]	C	4527
ANGULAR	± 1°		
UNLESS OTHERWISE SPECIFIED			