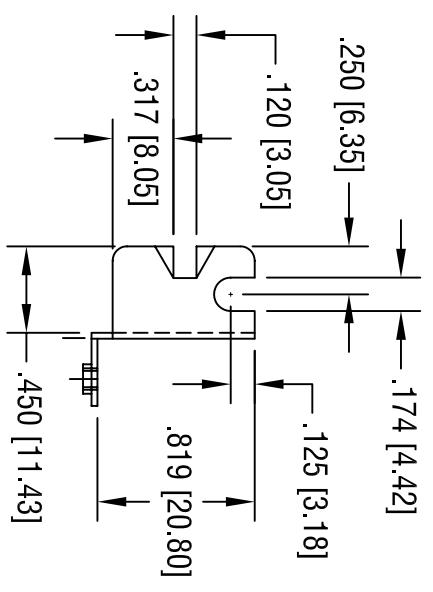
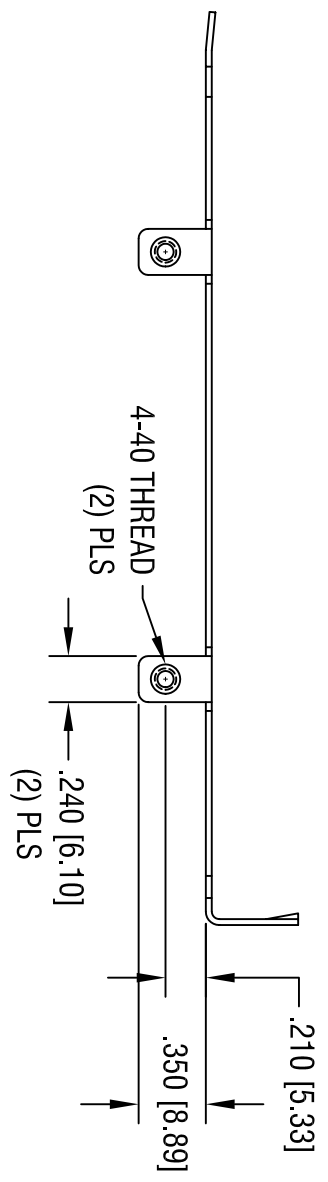
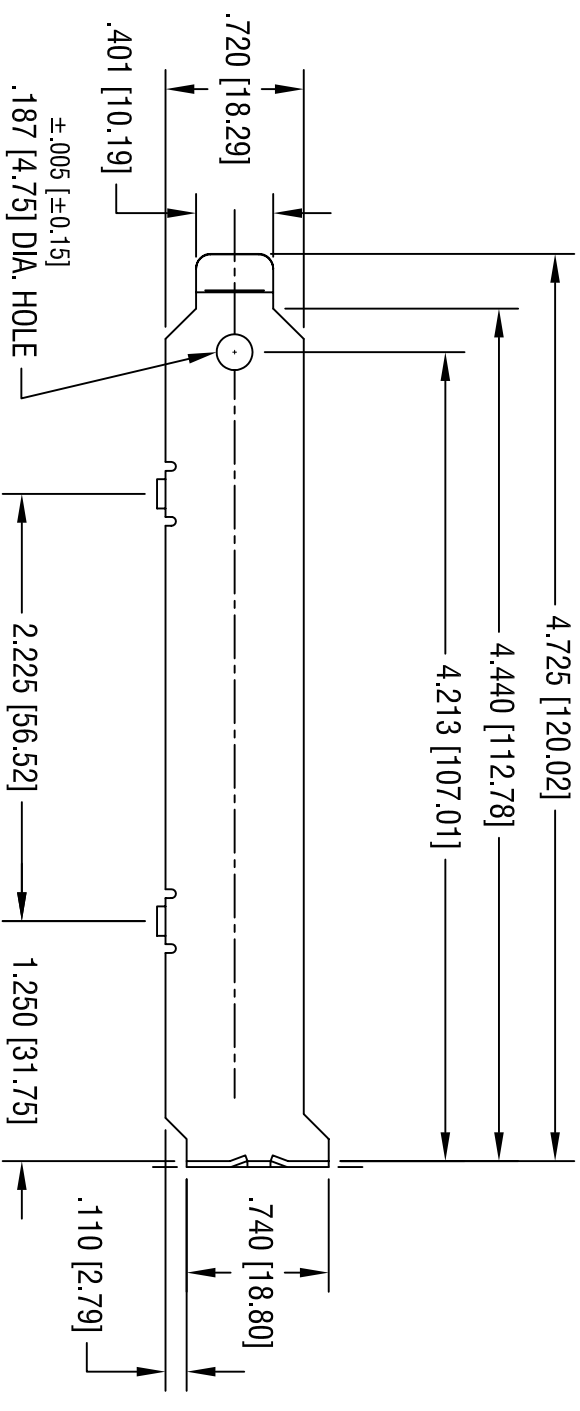


DATE	DESCRIPTION	REV.



THIS DOCUMENT IS THE PROPERTY OF KEYSTONE ELECTRONICS CORP. AND SHALL NOT BE REPRODUCED, DISTRIBUTED OR USED AS A BASIS FOR MANUFACTURE WITHOUT PRIOR WRITTEN PERMISSION FROM KEYSTONE ELECTRONICS CORP.

KEYSTONE ELECTRONICS CORP.			
ASTORIA, N.Y. 11105-2017			
PART NAME		COMPUTER BRACKET	
MATERIAL		.032 [0.81] THK STEEL	
FINISH	NICKEL PLATE	DRAWN BY	BOONE
DATE	6.15.98	SCALE	1X
TOLERANCES	INCH [MM]	CODE	DWG NO.
DECIMAL	± .015 [± 0.38]	C	9202
ANGULAR	± 1°		
UNLESS OTHERWISE SPECIFIED			