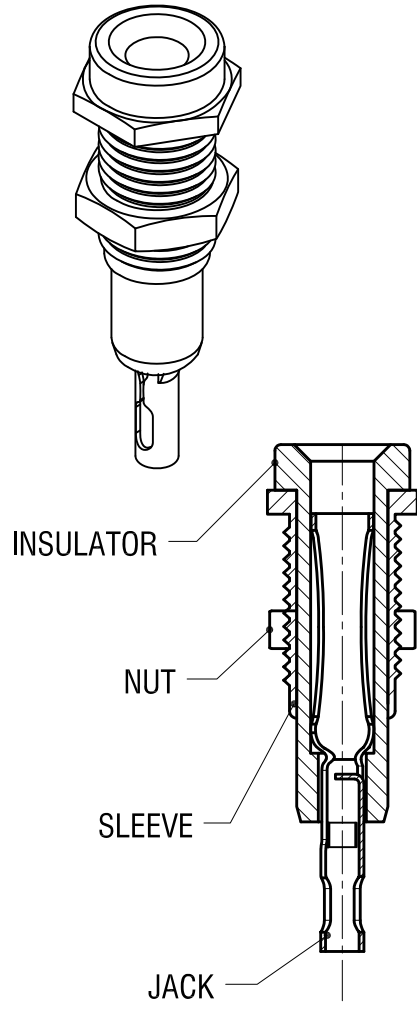
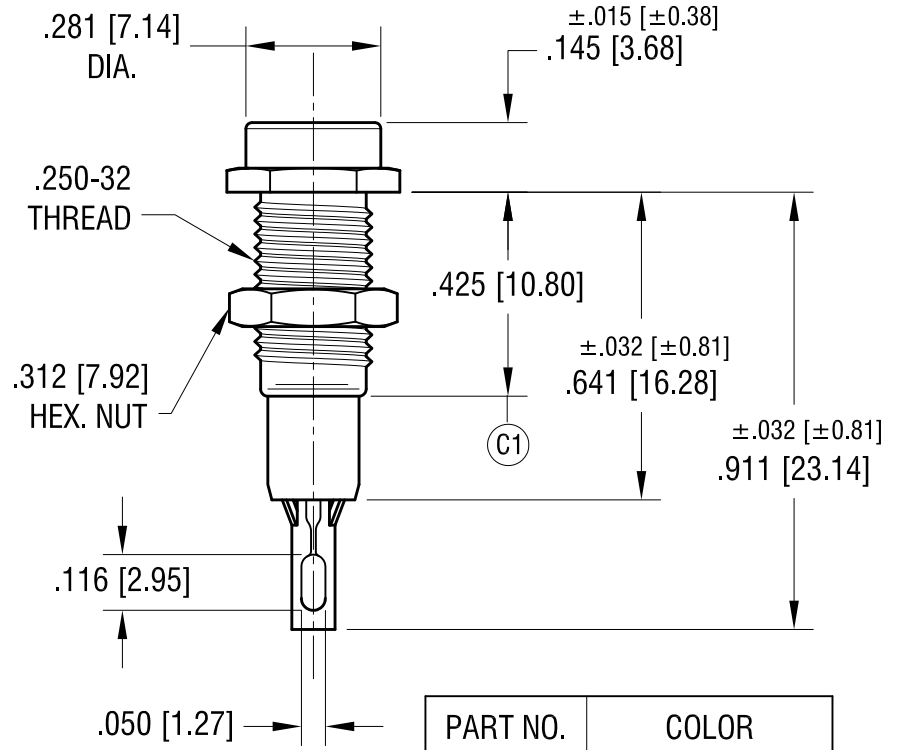
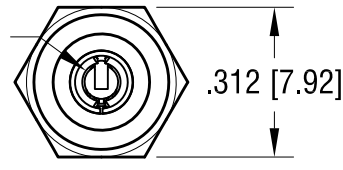


THIS DOCUMENT IS THE PROPERTY OF KEYSTONE ELECTRONICS CORP. AND SHALL NOT BE REPRODUCED, DISTRIBUTED OR USED AS A BASIS FOR MANUFACTURE WITHOUT PRIOR WRITTEN PERMISSION FROM KEYSTONE ELECTRONICS CORP.



SPRING CONTACT TO ACCEPT .080 [2.03] DIA. PIN



RATINGS:

CURRENT: 10 AMPS
 BREAKDOWN VOLTAGE: 5700 V RMS
 CONTACT RESISTANCE: 0.010 OHMS MAX.
 CONTACT-TO-PANEL C: 2 pF NOMINAL

NOTES:

1. CONTACT:
 MAT'L - PHOSPHOR BRONZE
 SILVER PLATE
 BODY:
 MAT'L - NYLON 6/6 PER ASTM D4066
2. SHELL, NUT: BRASS, NICKEL PLATE.
 HARDWARE SUPPLIED
 UNASSEMBLED.

PART NO.	COLOR
6024	WHITE
6025	RED
6026	BLACK
6027	GREEN
6028	YELLOW
6029	BLUE

DATE	DESCRIPTION	REV.
3.01.16	ECN 16-034, C1 WAS .395	C
9.26.11	CHANGE AS PER ECN 11-127	B
2.5.03	CHANGE AS PER ECN 03-012	A

KEYSTONE ELECTRONICS CORP.
 www.keyelco.com • ASTORIA, N.Y. 11105-2017 • Tel (718) 956-8900

PART NAME
INSULATED METAL-CLAD TIP JACK

MATERIAL
AS NOTED

FINISH AS NOTED	DRN BY	BOONE	DATE	12.7.82
	APP'D	LN	SCALE	2.5X

TOLERANCES INCH [MM]
 DECIMAL ±.005 [±0.13]
 ANGULAR ± 1°
 UNLESS OTHERWISE SPECIFIED

CODE
C

DWG NO.
6024-6029