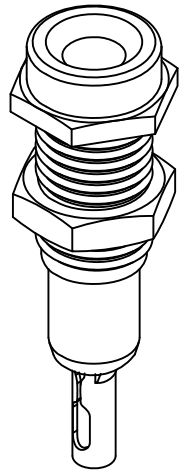
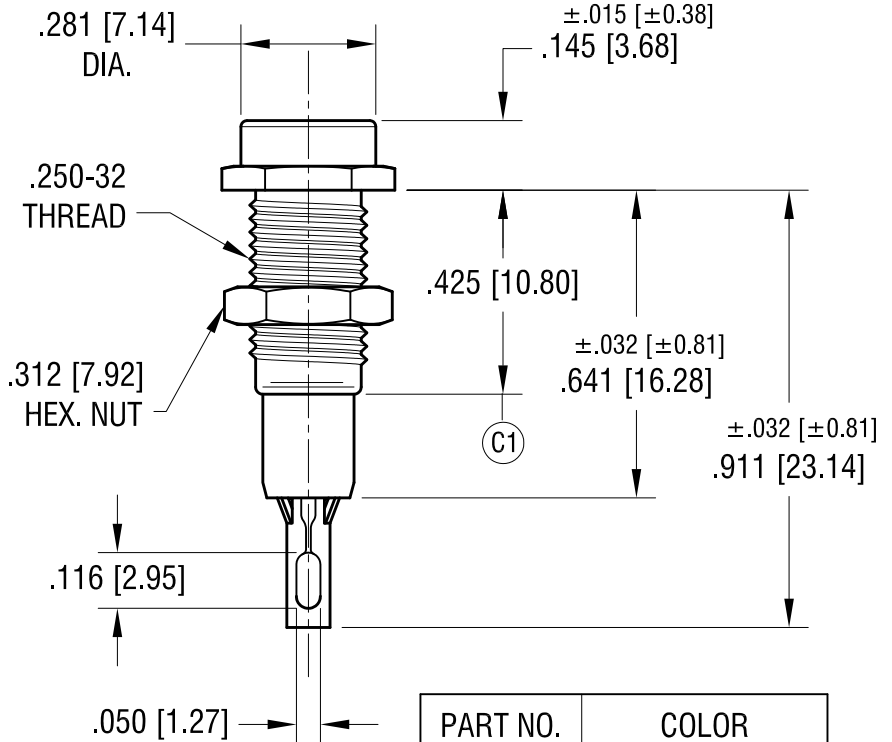
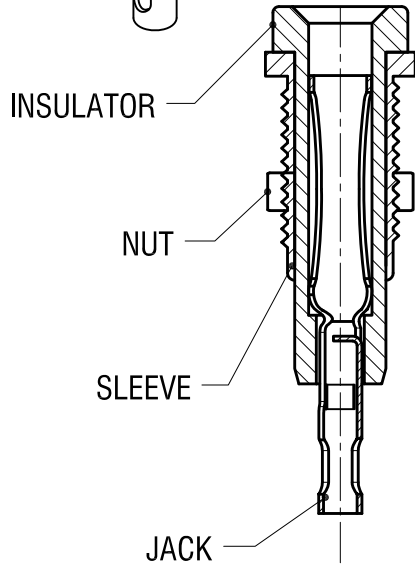
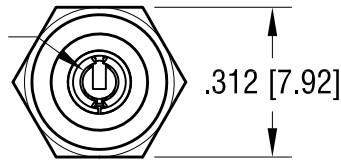


THIS DOCUMENT IS THE PROPERTY OF  
KEYSTONE ELECTRONICS CORP. AND  
SHALL NOT BE REPRODUCED, DISTRIBUTED  
OR USED AS A BASIS FOR MANUFACTURE  
WITHOUT PRIOR WRITTEN PERMISSION  
FROM KEYSTONE ELECTRONICS CORP.



SPRING CONTACT TO  
ACCEPT .080 [2.03]  
DIA. PIN



**RATINGS:**

CURRENT: 10 AMPS  
BREAKDOWN VOLTAGE: 5700 V RMS  
CONTACT RESISTANCE: 0.010 OHMS MAX.  
CONTACT-TO-PANEL C: 2 pF NOMINAL

**NOTES:**

**1. CONTACT:**

MAT'L - PHOSPHOR BRONZE  
SILVER PLATE

**BODY:**

MAT'L - NYLON 6/6 PER ASTM D4066

**2. SHELL, NUT: BRASS, NICKEL PLATE.  
HARDWARE SUPPLIED  
UNASSEMBLED.**

| PART NO. | COLOR  |
|----------|--------|
| 6024     | WHITE  |
| 6025     | RED    |
| 6026     | BLACK  |
| 6027     | GREEN  |
| 6028     | YELLOW |
| 6029     | BLUE   |

| DATE    | DESCRIPTION              | REV. |
|---------|--------------------------|------|
| 3.01.16 | ECN 16-034, C1 WAS .395  | C    |
| 9.26.11 | CHANGE AS PER ECN 11-127 | B    |
| 2.5.03  | CHANGE AS PER ECN 03-012 | A    |

**KEYSTONE ELECTRONICS CORP.**  
www.keyelco.com • ASTORIA, N.Y. 11105-2017 • Tel (718) 956-8900

PART NAME: **INSULATED METAL-CLAD TIP JACK**

MATERIAL: **AS NOTED**

|                         |                      |                      |
|-------------------------|----------------------|----------------------|
| FINISH: <b>AS NOTED</b> | DRN BY: <b>BOONE</b> | DATE: <b>12.7.82</b> |
|                         | APP'D: <b>LN</b>     | SCALE: <b>2.5X</b>   |

TOLERANCES INCH [MM]  
DECIMAL ± .005 [± 0.13]  
ANGULAR ± 1°  
UNLESS OTHERWISE SPECIFIED

CODE: **C**

DWG NO.: **6024-6029**