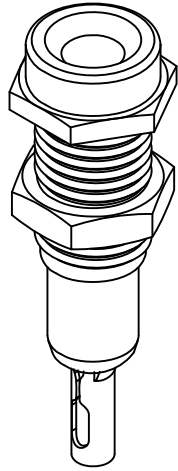
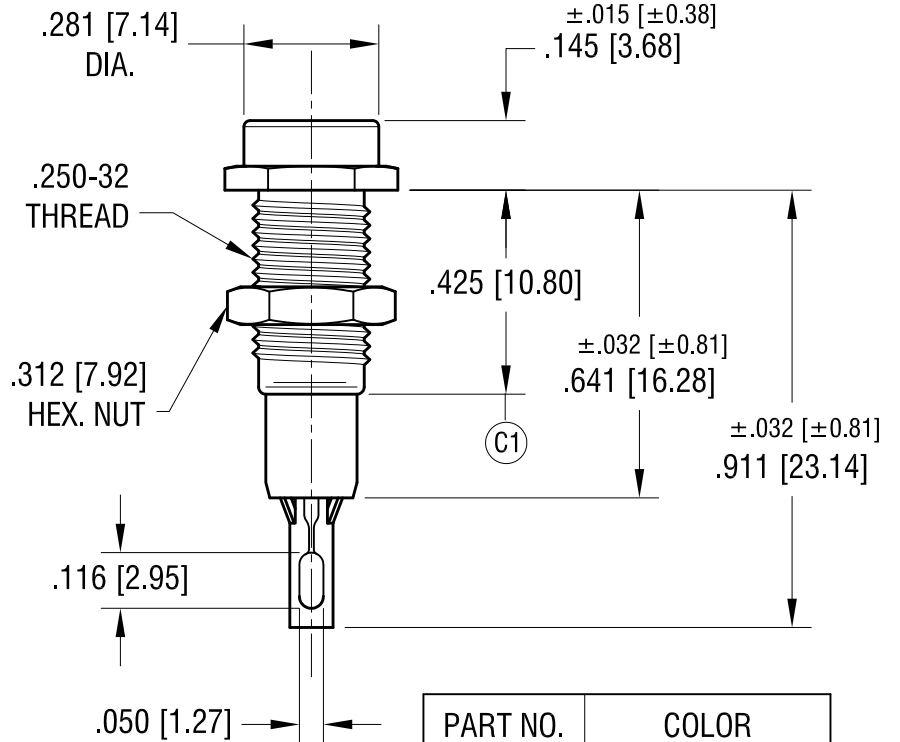
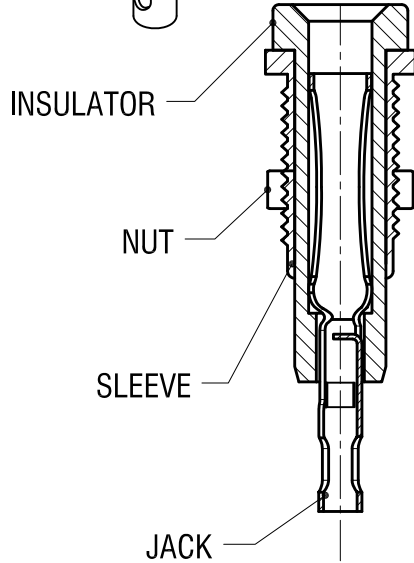
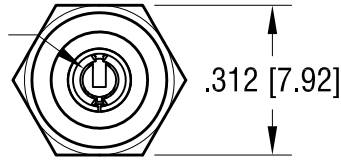


THIS DOCUMENT IS THE PROPERTY OF
KEYSTONE ELECTRONICS CORP. AND
SHALL NOT BE REPRODUCED, DISTRIBUTED
OR USED AS A BASIS FOR MANUFACTURE
WITHOUT PRIOR WRITTEN PERMISSION
FROM KEYSTONE ELECTRONICS CORP.



SPRING CONTACT TO
ACCEPT .080 [2.03]
DIA. PIN



RATINGS:

CURRENT: 10 AMPS
BREAKDOWN VOLTAGE: 5700 V RMS
CONTACT RESISTANCE: 0.010 OHMS MAX.
CONTACT-TO-PANEL C: 2 pF NOMINAL

NOTES:

1. CONTACT:

MAT'L - PHOSPHOR BRONZE
SILVER PLATE

BODY:

MAT'L - NYLON 6/6 PER ASTM D4066

**2. SHELL, NUT: BRASS, NICKEL PLATE.
HARDWARE SUPPLIED
UNASSEMBLED.**

| PART NO. | COLOR |
|----------|--------|
| 6024 | WHITE |
| 6025 | RED |
| 6026 | BLACK |
| 6027 | GREEN |
| 6028 | YELLOW |
| 6029 | BLUE |

| DATE | DESCRIPTION | REV. |
|---------|--------------------------|------|
| 3.01.16 | ECN 16-034, C1 WAS .395 | C |
| 9.26.11 | CHANGE AS PER ECN 11-127 | B |
| 2.5.03 | CHANGE AS PER ECN 03-012 | A |

KEYSTONE ELECTRONICS CORP.
www.keyelco.com • ASTORIA, N.Y. 11105-2017 • Tel (718) 956-8900

PART NAME: **INSULATED METAL-CLAD TIP JACK**

MATERIAL: **AS NOTED**

FINISH: **AS NOTED**

TOLERANCES INCH [MM]
DECIMAL ± .005 [± 0.13]
ANGULAR ± 1°
UNLESS OTHERWISE SPECIFIED

CODE: **C**

DRN BY: **BOONE** DATE: **12.7.82**
APP'D: **LN** SCALE: **2.5X**

DWG NO.: **6024-6029**