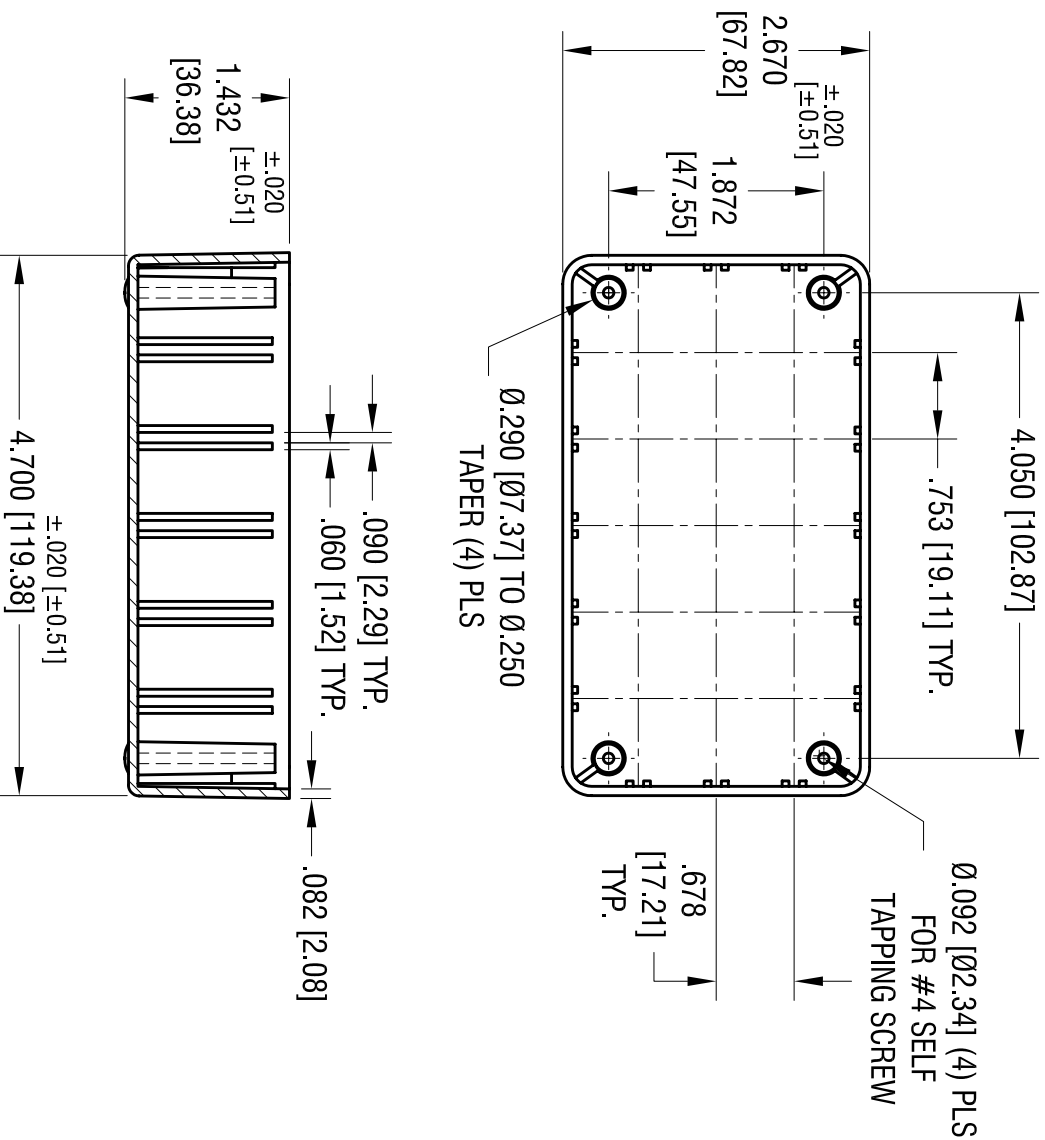
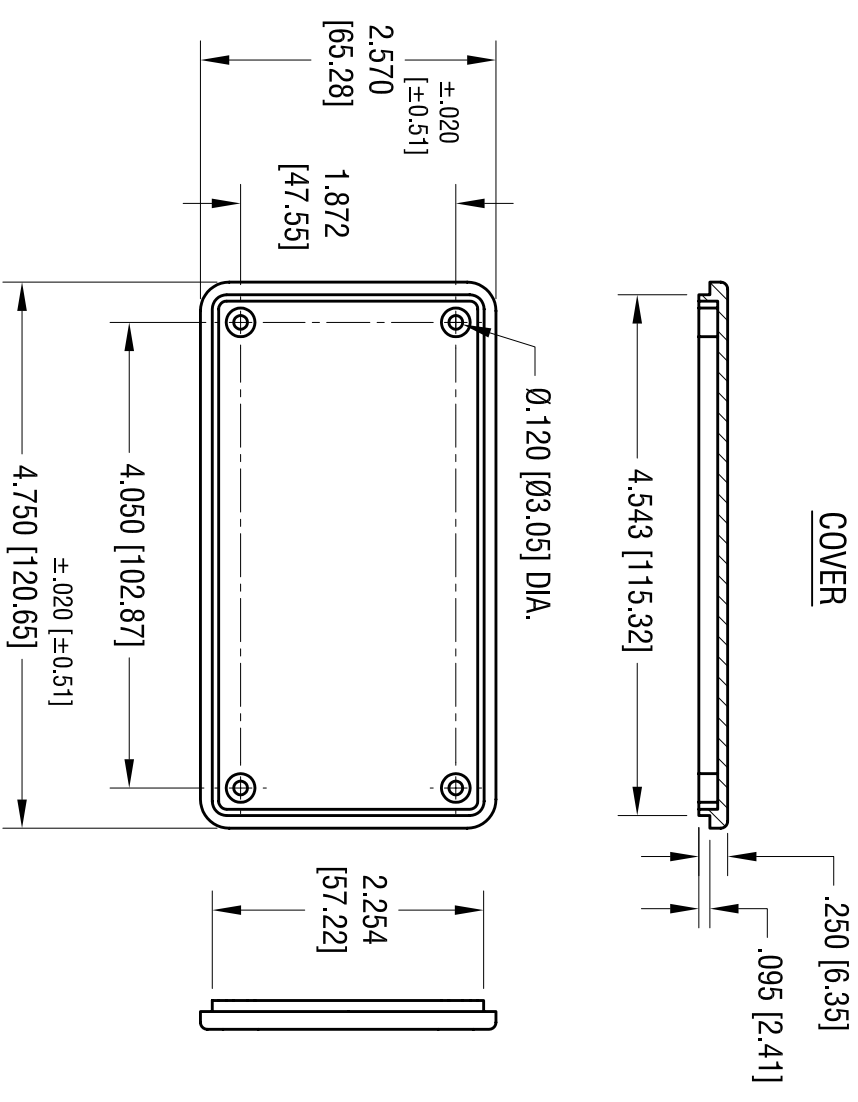


INSTRUMENT CASE



DATE	DESCRIPTION	REV.



NOTE:
1. CASE SUPPLIED WITH COVER AND MOUNTING SCREWS.

THIS DOCUMENT IS THE PROPERTY OF KEYSTONE ELECTRONICS CORP. AND SHALL NOT BE REPRODUCED, DISTRIBUTED OR USED AS A BASIS FOR MANUFACTURE WITHOUT PRIOR WRITTEN PERMISSION FROM KEYSTONE ELECTRONICS CORP.

KEYSTONE ELECTRONICS CORP.			
ASTORIA, N.Y. 11105-2017			
PART NAME INSTRUMENT CASE WITH COVER			
MATERIAL BLUE STYRENE			
FINISH -	DRN BY NT	DATE 8.28.07	
TOLERANCES DECIMAL ± .010 [± 0.25] ANGULAR ± 1°	CODE C	DWG NO. 762	SCALE .6X