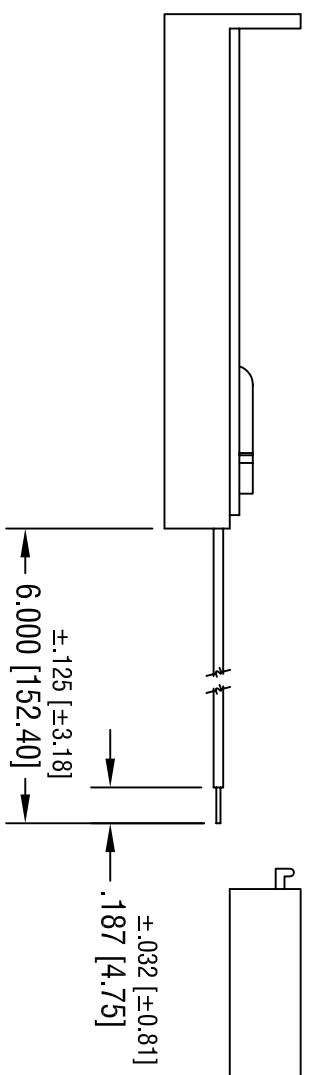
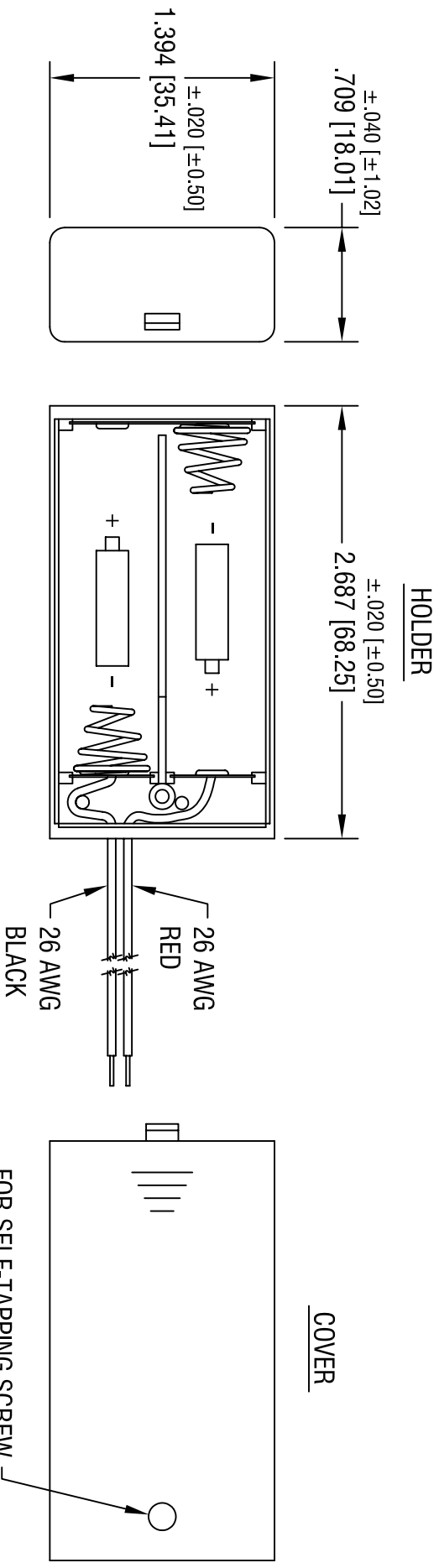


DATE	DESCRIPTION	REV.
9.12.02	CHANGE AS PER ECN 02-065	A



NOTE:
 1. HOLDER: MAT'L: A.B.S., BLACK
 WIRE: 26 AWG, 1007 UL/CSA APPROVED
 SPRING: MAT'L: MUSIC WIRE, .020 [0.50] DIA.
 FINISH: NICKEL PLATE

KEYSTONE ELECTRONICS CORP.			
ASTORIA, N.Y. 11105-2017			
PART NAME		BATTERY HOLDER & COVER, (2) 'AA'	
MATERIAL		AS NOTED	
FINISH		AS NOTED	
TOLERANCES	INCH	[MM]	CODE
DECIMAL	± .015	[± 0.38]	C/M
ANGULAR	± 1°		
DRN BY	BOONE	DATE	2.15.00
APP'D	LN	SCALE	1X
DWG NO.		2490	

THIS DOCUMENT IS THE PROPERTY OF
 KEYSTONE ELECTRONICS CORP. AND
 SHALL NOT BE REPRODUCED, DISTRIBUTED
 OR USED AS A BASIS FOR MANUFACTURE
 WITHOUT PRIOR WRITTEN PERMISSION
 FROM KEYSTONE ELECTRONICS CORP.