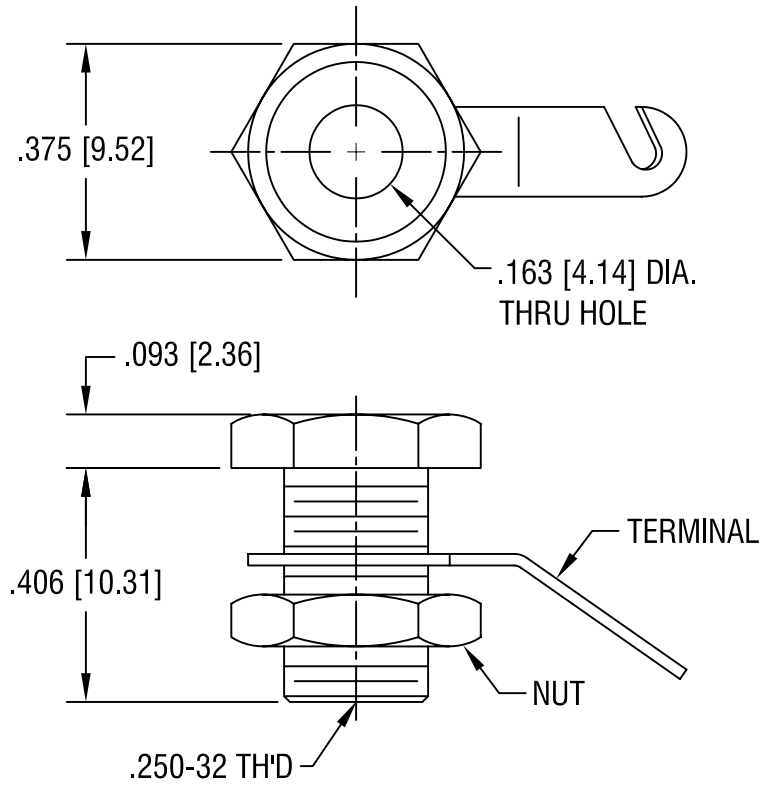


THIS DOCUMENT IS THE PROPERTY OF  
KEYSTONE ELECTRONICS CORP. AND  
SHALL NOT BE REPRODUCED, DISTRIBUTED  
OR USED AS A BASIS FOR MANUFACTURE  
WITHOUT PRIOR WRITTEN PERMISSION  
FROM KEYSTONE ELECTRONICS CORP.



NOTES:

1. BODY & NUT: FINISH - NICKEL PLATE  
TERMINAL: FINISH - TIN PLATE
2. TERMINAL & NUT SUPPLIED UNASSEMBLED

**KEYSTONE ELECTRONICS CORP.**

ASTORIA, N.Y. 11105-2017

PART NAME

NON-INSULATED BANANA JACK

MATERIAL

BRASS

FINISH

AS NOTED

DRN BY

BOONE

DATE

11.5.99

APP'D

LN

SCALE

3X

TOLERANCES

INCH [MM]

DECIMAL  $\pm .005$  [ $\pm 0.15$ ]

ANGULAR  $\pm 1^\circ$

UNLESS OTHERWISE SPECIFIED

CODE

C/M

DWG NO.

6095

DATE

DESCRIPTION

REV.