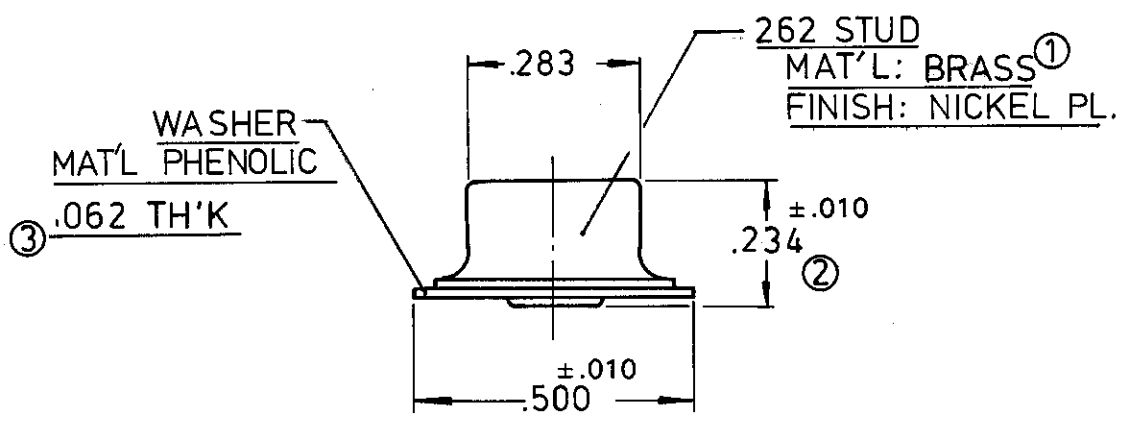
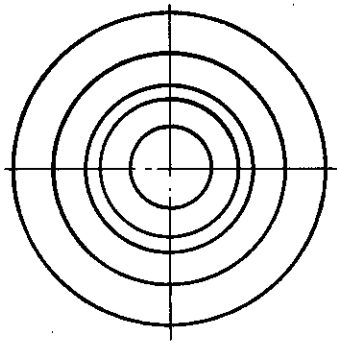


NO. 273
CODE
C/M



KEYSTONE ELECTRONICS CORP. ASTORIA, N.Y. 11105-2017		
PART NAME		SNAP-ON
MATERIAL		AS NOTED
FINISH	DRAWN BY	DATE
AS NOTED	L.N.	2.8.82
	APPROVED	SCALE
	AA	—
TOLERANCES		DWG. NO.
FRACTIONAL ±		273
DECIMAL ±.005 ANGULAR ±		
UNLESS OTHERWISE NOTED		

8.4.93	③ ADDED DIM. ① WAS STEEL ② WAS .200	A
DATE	REVISION	ISSUE