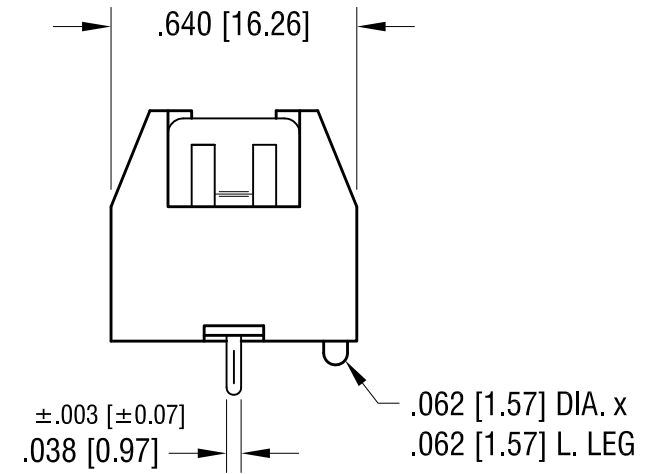
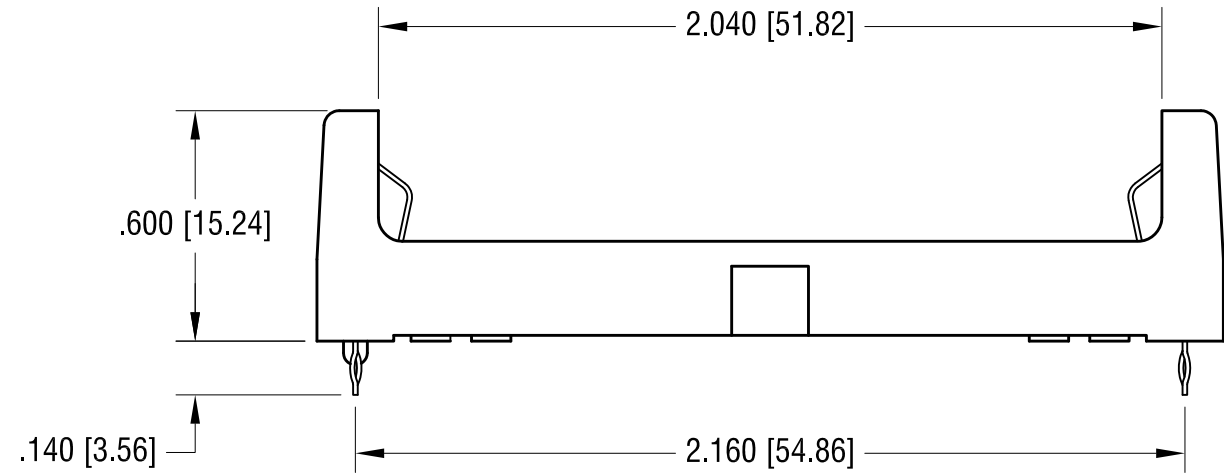
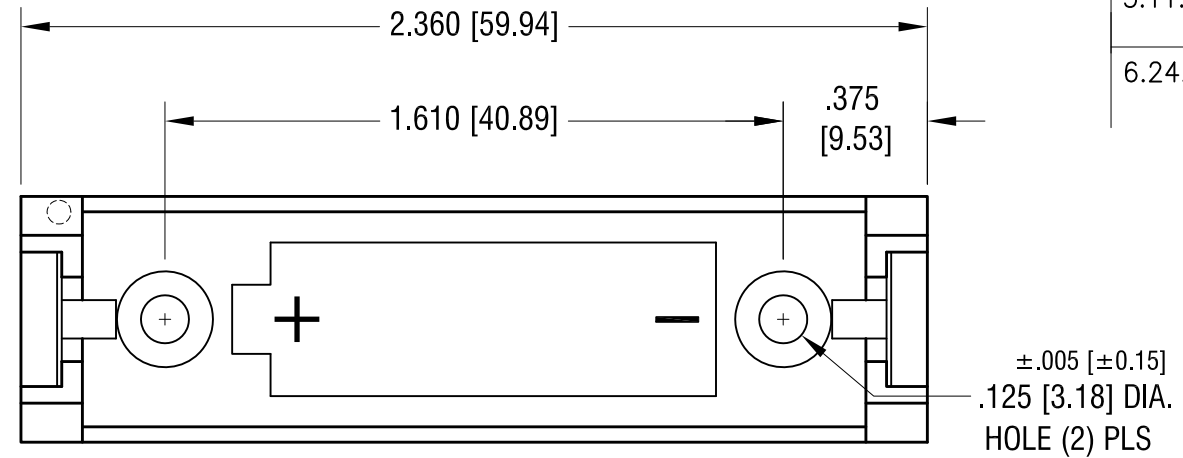
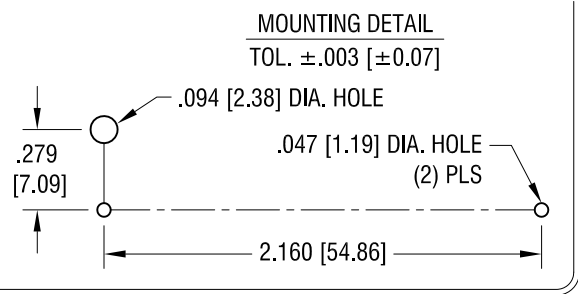


DATE	DESCRIPTION	REV.
3.11.03	CHANGE AS PER ECN 03-022	A
6.24.10	CHANGE AS PER ECN 10-046	B



- NOTE:
1. BASE:
MAT'L: PBT, BLACK UL 94V-0.
 2. CONTACT:
MAT'L: .012 [0.30] THK STAINLESS STEEL.
FINISH: TIN NICKEL PLATE.

THIS DOCUMENT IS THE PROPERTY OF KEYSTONE ELECTRONICS CORP. AND SHALL NOT BE REPRODUCED, DISTRIBUTED OR USED AS A BASIS FOR MANUFACTURE WITHOUT PRIOR WRITTEN PERMISSION FROM KEYSTONE ELECTRONICS CORP.

KEYSTONE ELECTRONICS CORP.			
www.keyelco.com • ASTORIA, N.Y. 11105-2017 • Tel (718) 956-8900			
PART NAME		PC BATTERY HOLDER, AA	
MATERIAL		AS NOTED	
FINISH	DRN BY	DATE	
AS NOTED	BOONE	9.30.96	
	APPD	SCALE	
	LN	2X	
TOLERANCES	INCH	[MM]	CODE
DECIMAL	$\pm .010$	[± 0.25]	C
ANGULAR	$\pm 1^\circ$		
UNLESS OTHERWISE SPECIFIED			DWG NO.
			1028