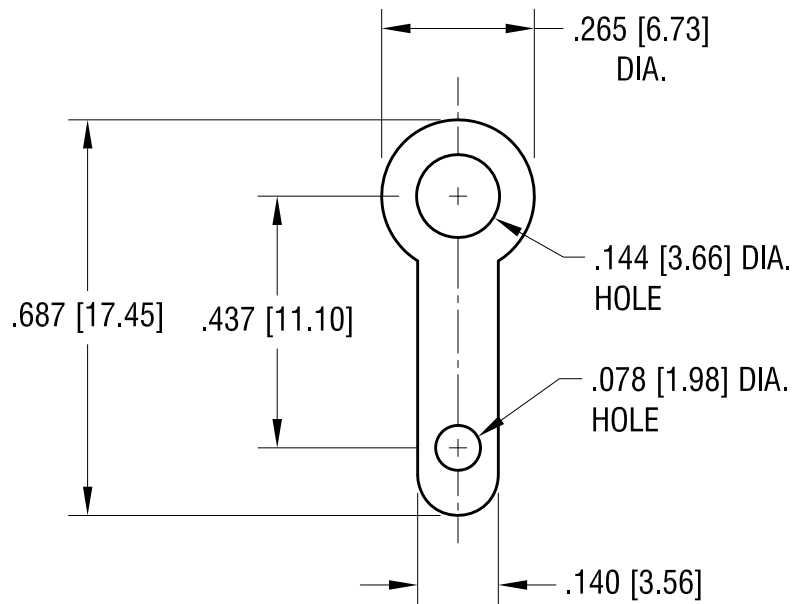
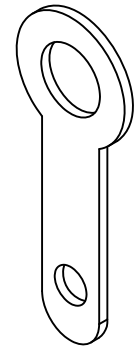


THIS DOCUMENT IS THE PROPERTY OF
KEYSTONE ELECTRONICS CORP. AND
SHALL NOT BE REPRODUCED, DISTRIBUTED
OR USED AS A BASIS FOR MANUFACTURE
WITHOUT PRIOR WRITTEN PERMISSION
FROM KEYSTONE ELECTRONICS CORP.



KEYSTONE ELECTRONICS CORP.

www.keyelco.com • ASTORIA, N.Y. 11105-2017 • Tel (718) 956-8900

PART NAME
SOLDER TERMINAL LUG

MATERIAL
.020 [0.50] TH'K BRASS

FINISH MATTE TIN PLATE	DRN BY BOONE	DATE 3.15.84
	APP'D LN	SCALE 3X

TOLERANCES DECIMAL ANGULAR	INCH [MM] $\pm .005$ [± 0.15] $\pm 1^\circ$	CODE C	DWG NO. 7326
UNLESS OTHERWISE SPECIFIED			

6.25.09	CHANGE AS PER ECN 09-082	B
1.9.08	CHANGE AS PER ECN 08-041	A
DATE	DESCRIPTION	REV.