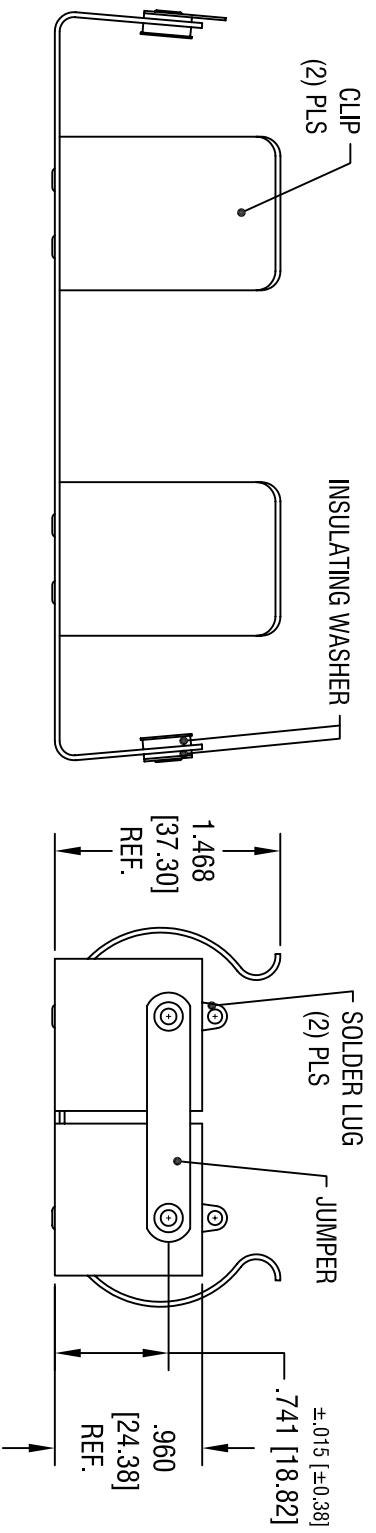
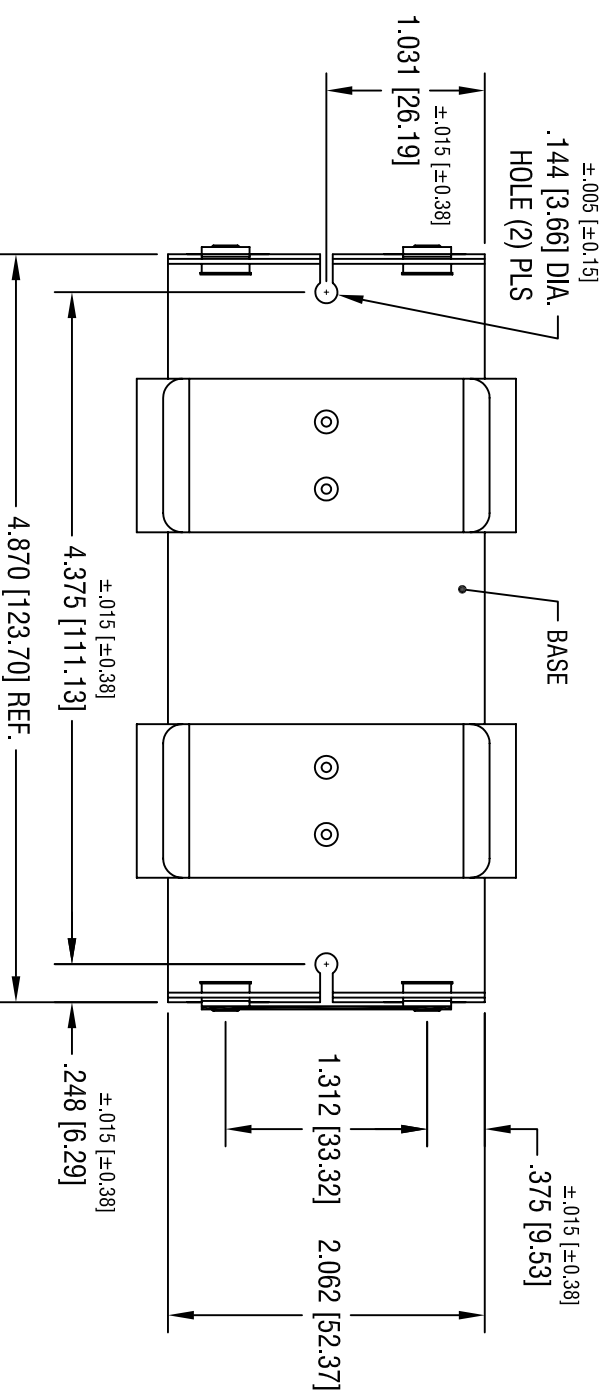


DATE	DESCRIPTION	REV.
10.2.83	REVISED	A



- NOTES:
1. BASE: MAT'L - .032 [.81] THK ALUMINUM
 - CLIP: MAT'L - .032 [.81] THK ALUMINUM
 - SOLDER LUG: MAT'L - BRASS
 - FINISH - TIN PLATE
 - JUMPER: MAT'L - BRASS
 - FINISH - TIN PLATE

KEYSTONE ELECTRONICS CORP.
ASTORIA, N.Y. 11105-2017

PART NAME: BATTERY HOLDER, (4) 'D' CELLS

MATERIAL: AS NOTED

FINISH: AS NOTED

TOLERANCES	INCH	[MM]	CODE	DWG NO.
DECIMAL	$\pm .010$	[± 0.25]	C	
ANGULAR	$\pm 1^\circ$			
				SCALE: .8X
				158

THIS DOCUMENT IS THE PROPERTY OF KEYSTONE ELECTRONICS CORP. AND SHALL NOT BE REPRODUCED, DISTRIBUTED OR USED AS A BASIS FOR MANUFACTURE WITHOUT PRIOR WRITTEN PERMISSION FROM KEYSTONE ELECTRONICS CORP.