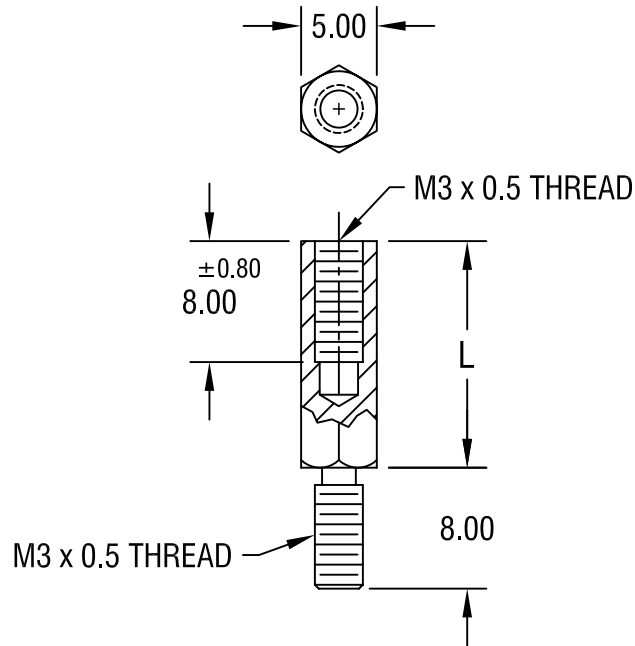


THIS DOCUMENT IS THE PROPERTY OF
KEYSTONE ELECTRONICS CORP. AND
SHALL NOT BE REPRODUCED, DISTRIBUTED
OR USED AS A BASIS FOR MANUFACTURE
WITHOUT PRIOR WRITTEN PERMISSION
FROM KEYSTONE ELECTRONICS CORP.



PART NO.	'L' DIM.
24289	10.00
24290	12.00
24291	15.00
24292	18.00
24293	20.00
24294	25.00

NOTE:

1. ALL DIMENSIONS ARE IN MILLIMETERS

KEYSTONE ELECTRONICS CORP.			
ASTORIA, N.Y. 11105-2017			
PART NAME		5mm M/F HEX STANDOFF	
MATERIAL		STAINLESS STEEL	
FINISH	DRN BY	DATE	
-	BOONE	5.8.06	
	APP'D	SCALE	
	LN	2X	
TOLERANCES	INCH	[MM]	CODE
DECIMAL	±	[± 0.15]	C/M
ANGULAR	± 1°		
UNLESS OTHERWISE SPECIFIED			DWG NO.
			24289-24294

DATE	DESCRIPTION	REV.