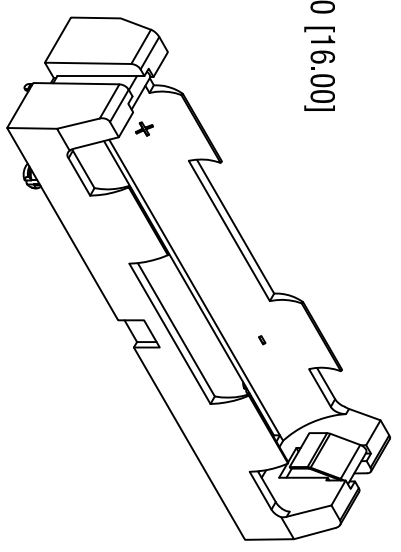


0.062 [01.57]
x .062 [1.57] L.

DATE	DESCRIPTION	REV.
8.24.10	CHANGE AS PER ECN 10-062	A
10.04.10	CHANGE AS PER ECN 10-069	B
10.26.10	CHANGE AS PER ECN 10-075	C
4.12.11	CHANGE AS PER ECN 11-049	D
10.08.13	CHANGE AS PER ECN 13-092	E
1.04.17	ECN 17-004, F1 WAS 2.822	F
1.11.19	ECN 19-002, BASE WAS NYLON 46	G



KEYSTONE ELECTRONICS CORP.

www.keystec.com • NEW HYDE PARK, NY 11040 • Tel (516) 328-7500

PART NAME

THM BATTERY HOLDER, 18650

MATERIAL

AS NOTED

FINISH

AS NOTED

- NOTE:
1. BASE:
MATERIAL: PBT (BLACK COLOR)
 2. CONTACT:
MATERIAL: .012 [0.30] THK STAINLESS STEEL
FINISH: TIN NICKEL PLATE

THIS DOCUMENT IS THE PROPERTY OF KEYSTONE ELECTRONICS CORP. AND SHALL NOT BE REPRODUCED, DISTRIBUTED OR USED AS A BASIS FOR MANUFACTURE WITHOUT PRIOR WRITTEN PERMISSION FROM KEYSTONE ELECTRONICS CORP.

TOLERANCES	INCH	[MM]	CODE	DWG NO.
DECIMAL	± .010	[± 0.25]	C	1043
ANGULAR	± 1°			

DRN BY	DATE
NT	8.19.10

APP'D	SCALE
LN	1.25X