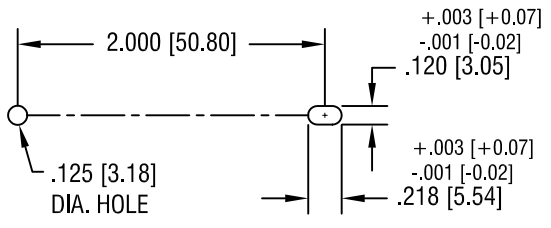
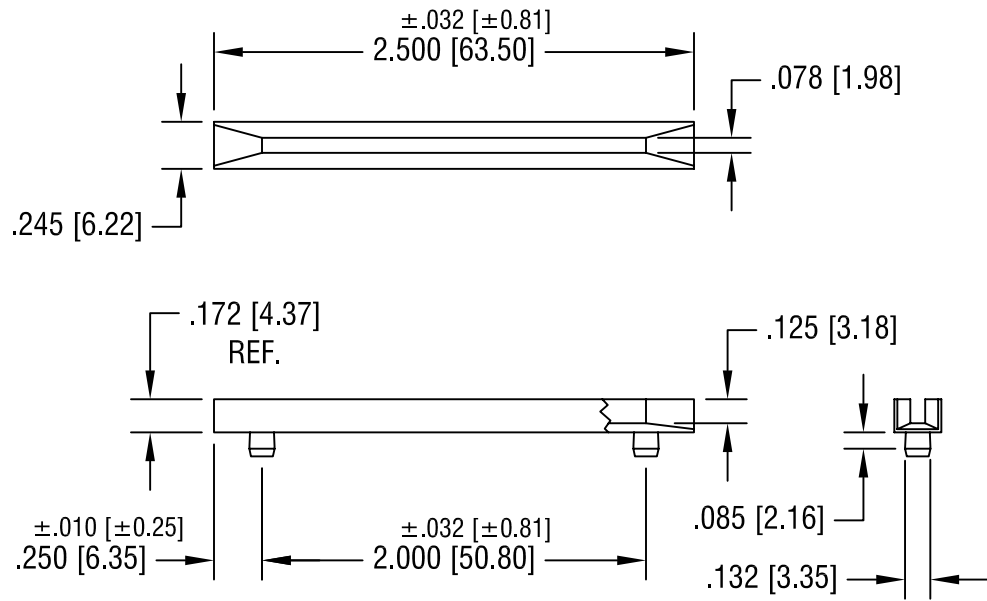


THIS DOCUMENT IS THE PROPERTY OF  
KEYSTONE ELECTRONICS CORP. AND  
SHALL NOT BE REPRODUCED, DISTRIBUTED  
OR USED AS A BASIS FOR MANUFACTURE  
WITHOUT PRIOR WRITTEN PERMISSION  
FROM KEYSTONE ELECTRONICS CORP.



SUGGESTED MOUNTING DETAIL



<b>KEYSTONE ELECTRONICS CORP.</b>			
ASTORIA, N.Y. 11105-2017			
PART NAME		PC BOARD GUIDE	
MATERIAL		NATURAL NYLON 6/6 UL 94V-2	
FINISH		DRN BY	DATE
-		BOONE	3.7.00
		APPD	SCALE
			1X
TOLERANCES	INCH	[MM]	CODE
DECIMAL	± .005	[± 0.15]	C/M
ANGULAR	± 1°		
UNLESS OTHERWISE SPECIFIED			DWG NO.
			<b>8620</b>

DATE	DESCRIPTION	REV.