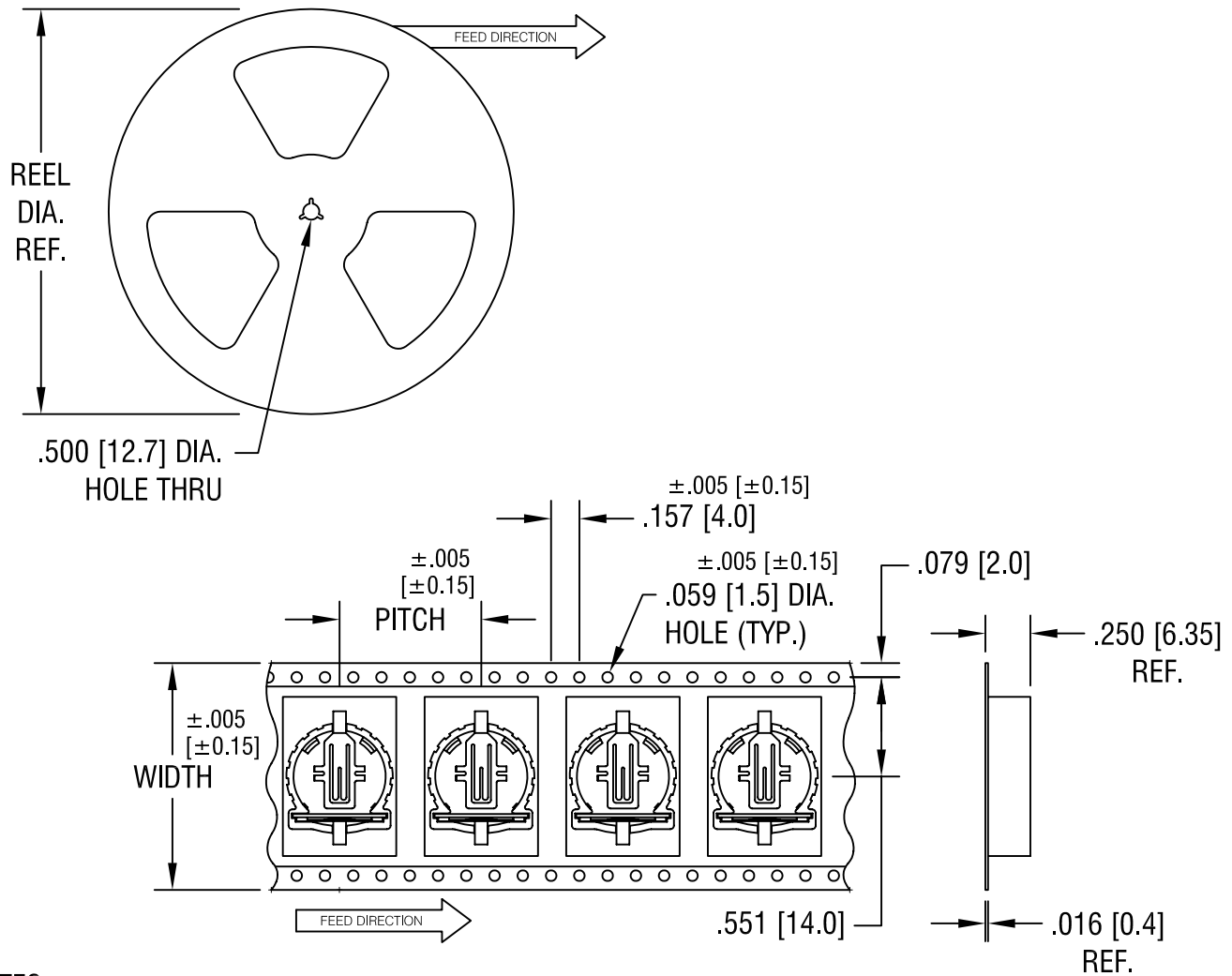


THIS DOCUMENT IS THE PROPERTY OF
KEYSTONE ELECTRONICS CORP. AND
SHALL NOT BE REPRODUCED, DISTRIBUTED
OR USED AS A BASIS FOR MANUFACTURE
WITHOUT PRIOR WRITTEN PERMISSION
FROM KEYSTONE ELECTRONICS CORP.



NOTES:

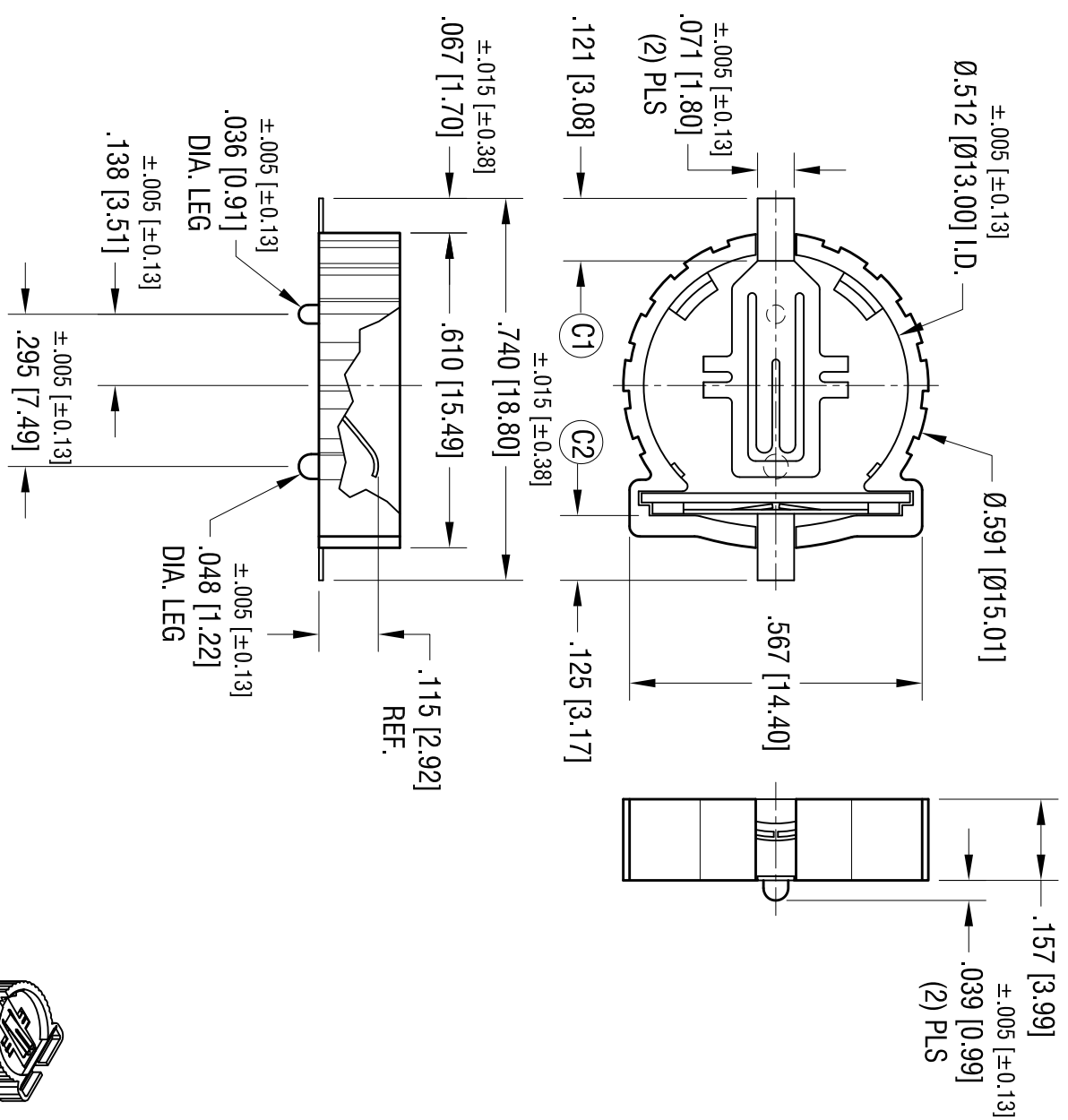
TAPE AND REEL SPECIFICATIONS:

1. TAPE:
MAT'L - ALL CONDUCTIVE POLYSTYRENE CARRIER
ANSI/EIA-481 STANDARD
1.260 [32.0] WIDE; .787 [20.0] PITCH
2. REEL:
13.0 [330.2] DIA. 500 PIECES OF
PART NO. 1056 PER REEL.

KEYSTONE ELECTRONICS CORP.			
ASTORIA, N.Y. 11105-2017			
PART NAME 1220mm SM COIN CELL HOLDER ON TAPE			
MATERIAL AS NOTED			
FINISH AS NOTED		DRN BY BOONE	DATE 6.18.07
		APP'D LN	SCALE X
TOLERANCES	INCH [MM]	CODE	DWG NO.
DECIMAL	$\pm .015$ [± 0.38]	C/M	1056TR
ANGULAR	$\pm 1^\circ$		
UNLESS OTHERWISE SPECIFIED			

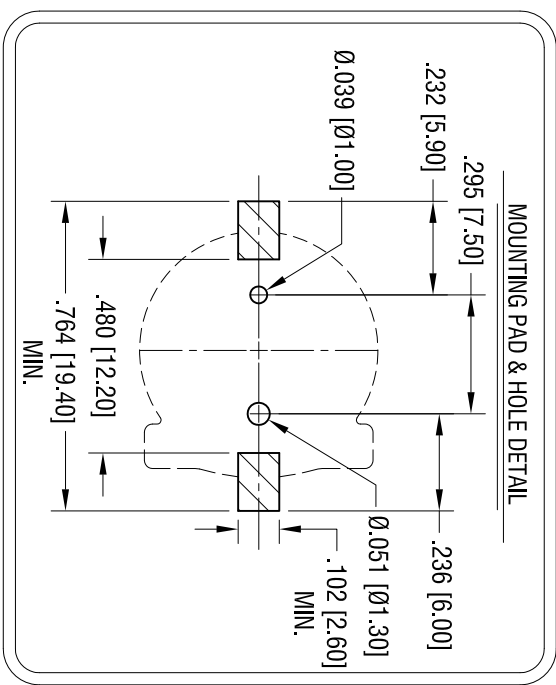
DATE	DESCRIPTION	REV.

DATE	DESCRIPTION	REV.
12.08.08	CHANGE AS PER ECN 08-188	A
3.09.16	CHANGE AS PER ECN 16-037 UPDATE MTC DETAIL	B
12.22.17	CHANGE AS PER ECN 17-083 ADD DIMENSIONS (C1), (C2)	C



ACTUAL SIZE

THIS DOCUMENT IS THE PROPERTY OF KEYSTONE ELECTRONICS CORP. AND SHALL NOT BE REPRODUCED, DISTRIBUTED OR USED AS A BASIS FOR MANUFACTURE WITHOUT PRIOR WRITTEN PERMISSION FROM KEYSTONE ELECTRONICS CORP.



KEYSTONE ELECTRONICS CORP.

www.keystec.com • ASTORIA, N.Y. 11105-2017 • Tel (718) 956-8900

PART NAME

1220 BATTERY HOLDER, SMT

MATERIAL

AS NOTED

FINISH

AS NOTED

TOLERANCES	INCH	[MM]	CODE	DWG NO.
DECIMAL	$\pm .010$	[± 0.25]	C	1056
ANGULAR	$\pm 1^\circ$			

DRN BY: BOONE DATE: 9.15.05

App'd: LN SCALE: 3X

NOTES:

1. BASE:

MAT'L - GLASS FILLED PPS UL 94V-0

2. CONTACTS:

MAT'L - .008 [0.20] THK PHOSPHOR BRONZE

FINISH - GOLD FLASH , OVER NICKEL PLATE