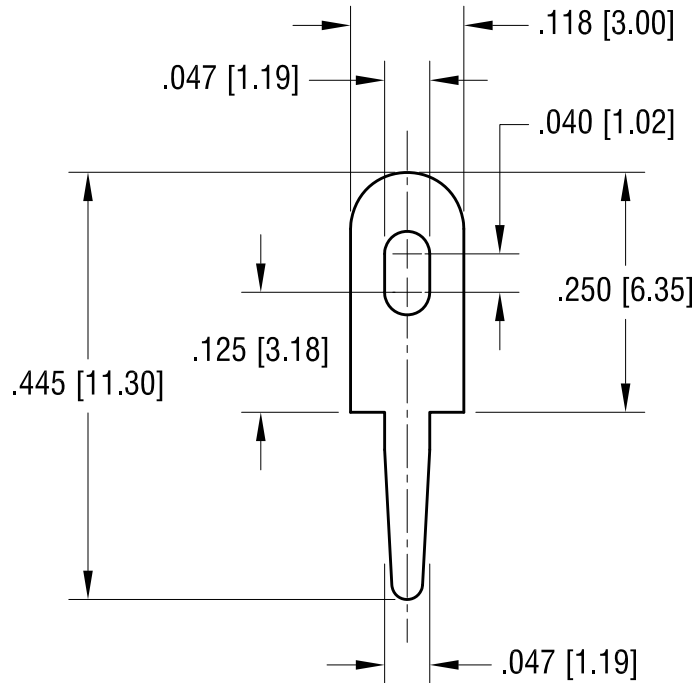


THIS DOCUMENT IS THE PROPERTY OF
KEYSTONE ELECTRONICS CORP. AND
SHALL NOT BE REPRODUCED, DISTRIBUTED
OR USED AS A BASIS FOR MANUFACTURE
WITHOUT PRIOR WRITTEN PERMISSION
FROM KEYSTONE ELECTRONICS CORP.

ACTUAL SIZE



KEYSTONE ELECTRONICS CORP.

www.keyelco.com • ASTORIA, N.Y. 11105-2017 • Tel (718) 956-8900

PART NAME
PC TEST POINT TERMINAL

MATERIAL
.025 [0.63] TH'K BRASS

FINISH MATTE TIN PLATE	DRN BY BOONE	DATE 11.8.93
	APP'D LN	SCALE 5X

TOLERANCES DECIMAL $\pm .005$ [± 0.13] ANGULAR $\pm 1^\circ$ UNLESS OTHERWISE SPECIFIED	CODE C	DWG NO. 1249
--	------------------	------------------------

4.03.14	CHANGE AS PER ECN 14-040	B
6.30.09	CHANGE AS PER ECN 09-091	A
DATE	DESCRIPTION	REV.