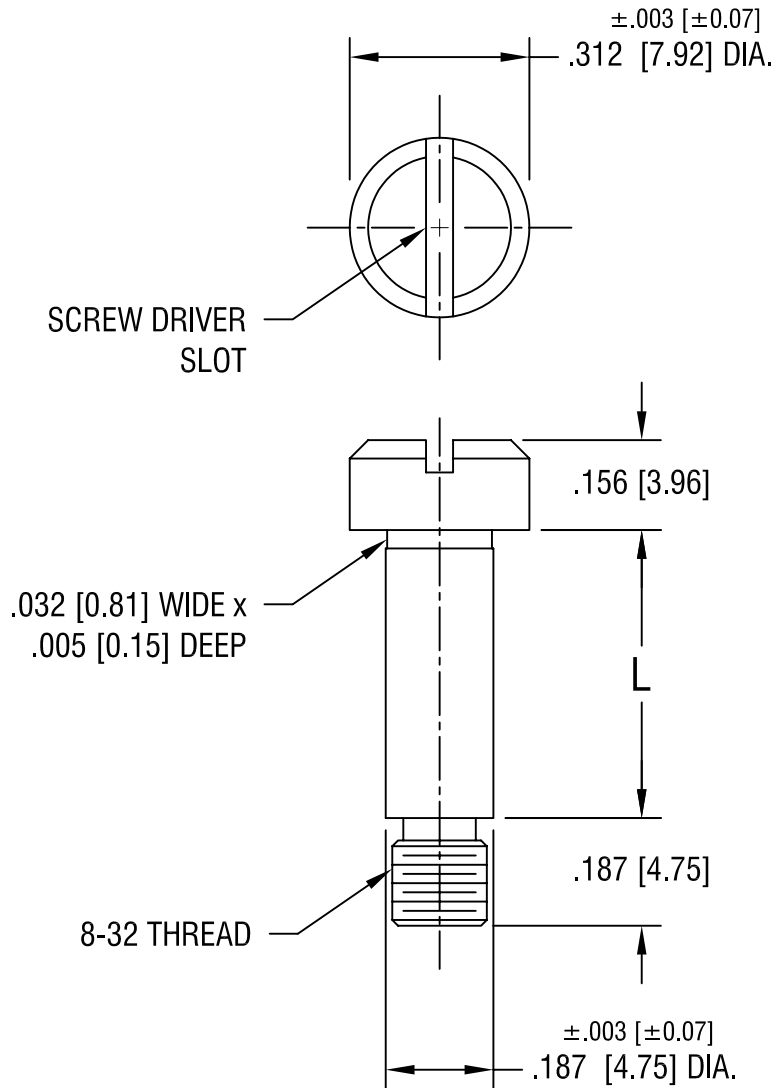


THIS DOCUMENT IS THE PROPERTY OF KEYSTONE ELECTRONICS CORP. AND SHALL NOT BE REPRODUCED, DISTRIBUTED OR USED AS A BASIS FOR MANUFACTURE WITHOUT PRIOR WRITTEN PERMISSION FROM KEYSTONE ELECTRONICS CORP.



PART NO.	'L' DIM.
2431	.125 [3.17]
2432	.250 [6.35]
2433	.375 [9.52]
2434	.500 [12.70]
2435	.625 [15.87]
2436	.750 [19.05]
2437	1.000 [25.40]

KEYSTONE ELECTRONICS CORP.

ASTORIA, N.Y. 11105-2017

PART NAME

SHOULDER SCREW - SLOTTED

MATERIAL

STAINLESS STEEL

FINISH

-

DRN BY

BOONE

DATE

8.16.95

APPD

SCALE

3X

TOLERANCES

INCH [MM]

DECIMAL ± .005 [± 0.15]

ANGULAR ± 1°

UNLESS OTHERWISE SPECIFIED

CODE

C/M

DWG NO.

2431-2437

DATE

DESCRIPTION

REV.