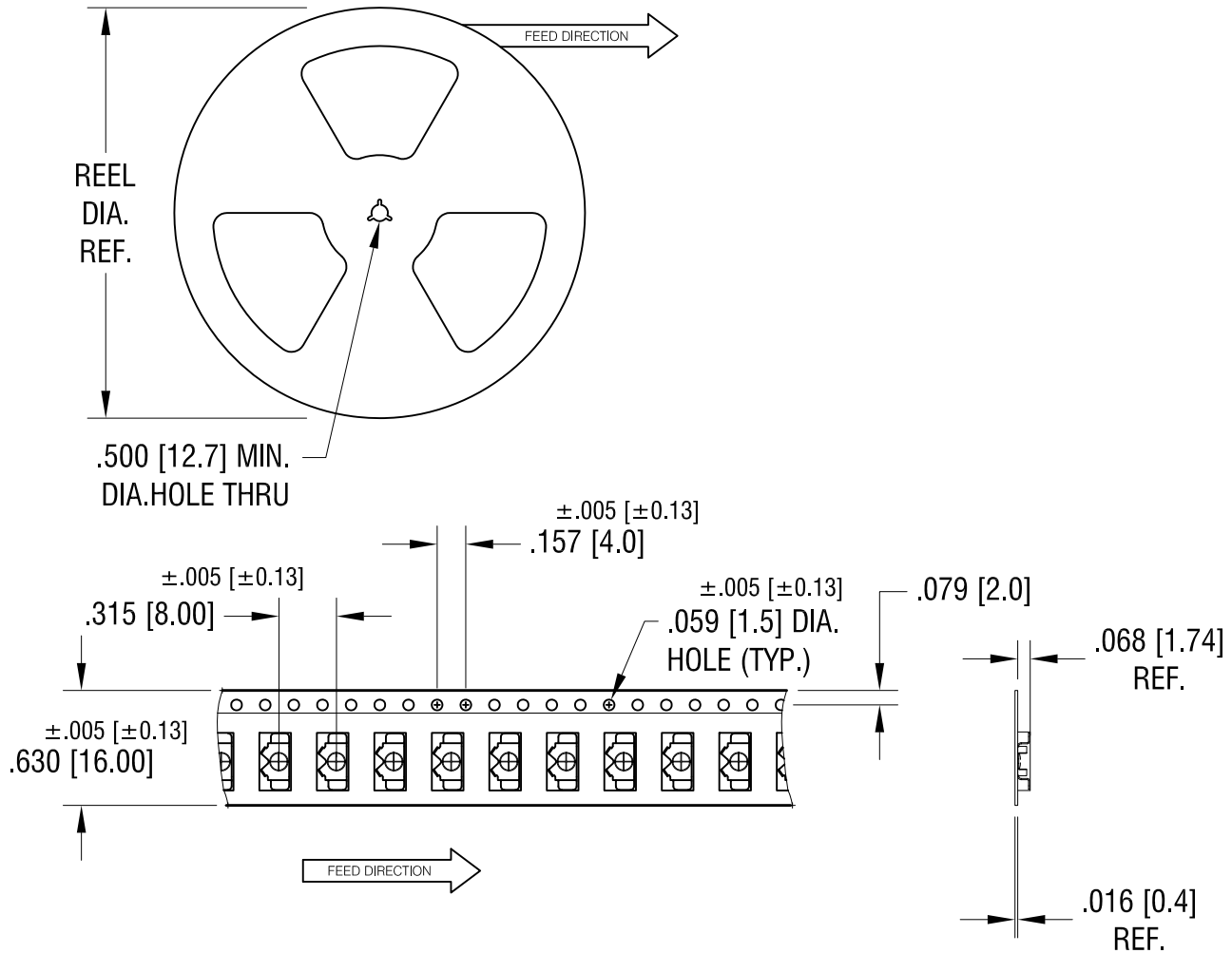


THIS DOCUMENT IS THE PROPERTY OF  
KEYSTONE ELECTRONICS CORP. AND  
SHALL NOT BE REPRODUCED, DISTRIBUTED  
OR USED AS A BASIS FOR MANUFACTURE  
WITHOUT PRIOR WRITTEN PERMISSION  
FROM KEYSTONE ELECTRONICS CORP.



NOTES:

TAPE AND REEL SPECIFICATIONS:

1. TAPE:  
MAT'L - ALL CONDUCTIVE POLYSTYRENE CARRIER  
ANSI/EIA-481 STANDARD
2. REEL:  
13.0 [330.2] DIA. 1500 PIECES OF  
PART NO. 2994 REV. E PER REEL.

2.21.18	CHANGE AS PER ECN 18-009	B
9.17.15	CHANGE AS PER ECN 15-102	A
DATE	DESCRIPTION	REV.

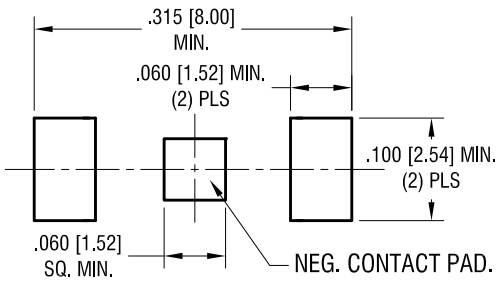
<b>KEYSTONE ELECTRONICS CORP.</b>			
www.keyelco.com • NEW HYDE PARK, NY 11040 • Tel (516) 328-7500			
PART NAME			
4.8 mm SMT RETAINER ON TAPE AND REEL			
MATERIAL			
AS NOTED			
FINISH		DRN BY	DATE
AS NOTED		NT	9.17.15
		APP'D	SCALE
		LN	X
TOLERANCES	INCH [MM]	CODE	DWG NO.
DECIMAL	±.015 [±0.38]	C	2994TR
ANGULAR	± 1°		
UNLESS OTHERWISE SPECIFIED			

THIS DOCUMENT IS THE PROPERTY OF KEYSTONE ELECTRONICS CORP. AND SHALL NOT BE REPRODUCED, DISTRIBUTED OR USED AS A BASIS FOR MANUFACTURE WITHOUT PRIOR WRITTEN PERMISSION FROM KEYSTONE ELECTRONICS CORP.

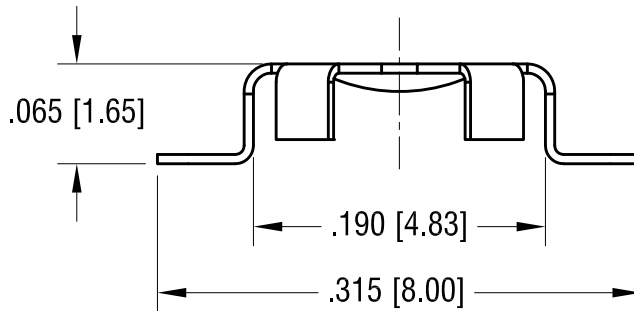
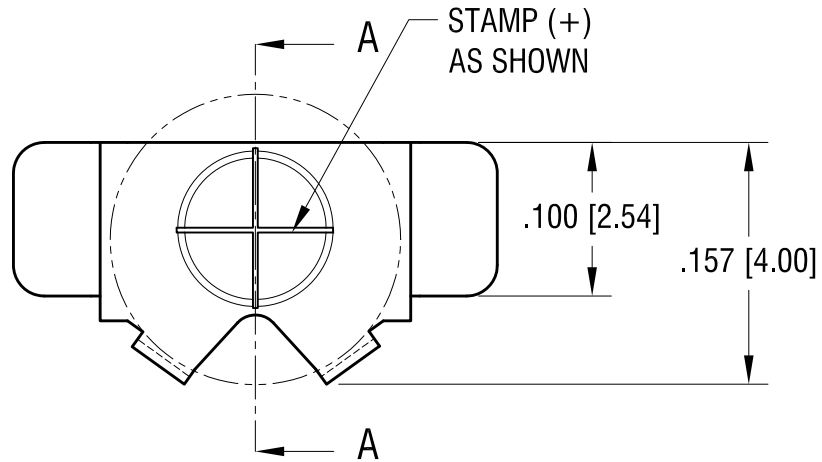
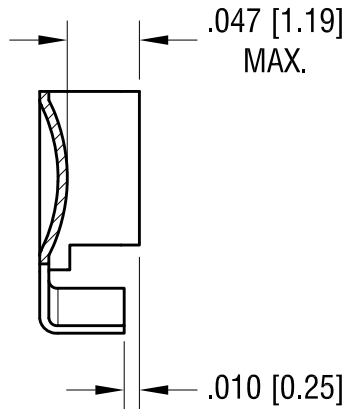
**ACTUAL SIZE**



**MOUNTING PAD LAYOUT**



**SECTION A-A**



1.29.18	CHANGE AS PER ECN 18-007	E
12.19.17	CHANGE AS PER ECN 17-080	D
5.07.15	CHANGE AS PER ECN 15-045	C
11.09.09	CHANGE AS PER ECN 09-165	B
10.19.09	CHANGE AS PER ECN 09-149	A
DATE	DESCRIPTION	REV.

<b>KEYSTONE ELECTRONICS CORP.</b>			
www.keyelco.com • NEW HYDE PARK, NY 11040 • Tel (516) 328-7500			
PART NAME		ML414 (4.8mm) SMT RETAINER	
MATERIAL		.006 [0.152] TH'K PHOSPHOR BRONZE	
FINISH		DRN BY	DATE
GOLD FLASH		NT	6.23.09
		APP'D	SCALE
TOLERANCES INCH [MM] DECIMAL ± .005 [± 0.13] ANGULAR ± 1° UNLESS OTHERWISE SPECIFIED		CODE	DWG NO.
		C	2994