

## ➤ SERIES 1840 - SINGLE AND DOUBLE-POLE PUSHBUTTON SWITCHES

TO 6 (4) A 250 V AC






### PRODUCT FEATURES

- ➔ 100 million times proven switching principle with long life endurance with 100 000 mechanical switching cycles
- ➔ Fastening by round nut M12
- ➔ Excellent actuating characteristic
- ➔ Variant for snapping on customized pushbuttons

### ON REQUEST

- ➔ Higher power with 6 (6) A 250 V AC
- ➔ Other terminal types
- ➔ Cable assembly

Mechanical life endurance	10E4
Contact resistance (new condition)	< 100 mOhm (1 A 12 V DC)
Insulation resistance (new condition)	> 100 MOhm (500 V DC)
Proof tracking	250 PTI
Protection type	IP 40
Ambient temperature	terminal side -20 °C ... +100 °C actuating side -20 °C ... +55 °C
Flammability	UL 94 V-2
Glow wire test temperature	850 °C
Material actuator housing terminals	PA PA glass fiber-reinforced / PA silver plated
Plug force of the terminals	≤ 80 N
Approval marks	 /  / 
Suitable for appliances of protection class II	

ROCKER SWITCHES

PUSHBUTTON SWITCHES

TOGGLE SWITCHES

SLIDE SWITCHES

ROTARY SWITCHES

FOOT SWITCHES

TACT AND KEY SWITCHES

SNAP-ACTION SWITCHES

MICRO-SIGNAL SWITCHES

SENSORS


ECO


PUSH/DOME



# SERIES 1840 - SINGLE AND DOUBLE-POLE PUSHBUTTON SWITCHES

TO 6 (4) A 250 V AC

 single-pole		Actuator color / printing	Housing color	6 (4) A 250 V AC 5E4	6 (2) A 250 V AC 5E4	6 A 250 V AC 1/2 HP	6 A 125 V AC 1/4 HP	6 A 125 - 250 V AC 1/8 HP	Terminal type	Terminal description	Contact distance (mm)	Contact material	Miscellaneous	Stock version
<b>ON / OFF switch (SPST)</b>														
1841.1101				<input type="radio"/>	<input type="radio"/>	<input type="radio"/>	<input type="radio"/>	<input type="radio"/>		4.8	≥ 3	Ag		<input type="radio"/>
1841.6101				<input type="radio"/>	<input type="radio"/>	<input type="radio"/>	<input type="radio"/>	<input type="radio"/>		4.8	≥ 3	Ag	snap-on actuator caps see page 119	
<b>Normally closed contact (SPNC)</b>														
1841.1301				<input type="radio"/>	<input type="radio"/>	<input type="radio"/>	<input type="radio"/>	<input type="radio"/>		4.8	≥ 3	Ag		<input type="radio"/>
<b>Normally open contact (SPNO)</b>														
1841.1201				<input type="radio"/>	<input type="radio"/>	<input type="radio"/>	<input type="radio"/>	<input type="radio"/>		4.8	≥ 3	Ag		<input type="radio"/>
<b>Changeover switch (SPDT)</b>														
1843.1101				<input type="radio"/>	<input type="radio"/>	<input type="radio"/>	<input type="radio"/>	<input type="radio"/>		4.8	≥ 3	Ag		
<b>Changeover switch (SPDT momentary)</b>														
1843.1201				<input type="radio"/>	<input type="radio"/>	<input type="radio"/>	<input type="radio"/>	<input type="radio"/>		4.8	≥ 3	Ag		<input type="radio"/>

 double-pole		Actuator color / printing	Housing color	6 (4) A 250 V AC 5E4	6 (2) A 250 V AC 5E4	6 A 250 V AC 1/2 HP	6 A 125 V AC 1/4 HP	6 A 125 - 250 V AC 1/8 HP	Terminal type	Terminal description	Contact distance (mm)	Contact material	Miscellaneous	Stock version
<b>ON / OFF switch (DPST)</b>														
1842.1101				<input type="radio"/>	<input type="radio"/>	<input type="radio"/>	<input type="radio"/>	<input type="radio"/>		4.8	≥ 3	Ag		
1842.6101				<input type="radio"/>	<input type="radio"/>	<input type="radio"/>	<input type="radio"/>	<input type="radio"/>		4.8	≥ 3	Ag	snap-on actuator caps see page 119	

PUSHBUTTON SWITCHES  
 TOGGLE SWITCHES  
 SLIDE SWITCHES  
 ROTARY SWITCHES  
 FOOT SWITCHES  
 TACT AND KEY SWITCHES  
 SNAP-ACTION SWITCHES  
 MICRO-SIGNAL SWITCHES  
 SENSORS  
 ECO  
 PUSH/DRIVE

# ➤ SERIES 1840 - SINGLE AND DOUBLE-POLE PUSHBUTTON SWITCHES

TO 6 (4) A 250 V AC

ROCKER SWITCHES

PUSHBUTTON SWITCHES

TOGGLE SWITCHES

SLIDE SWITCHES

ROTARY SWITCHES

FOOT SWITCHES

TACT AND KEY SWITCHES

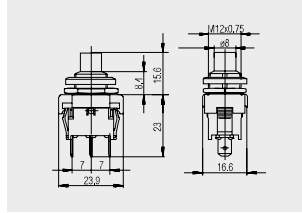
SNAP-ACTION SWITCHES

MICRO-SIGNAL SWITCHES

SENSORS

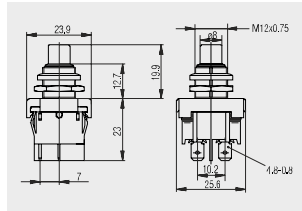
ECO

PUSH/DIOME



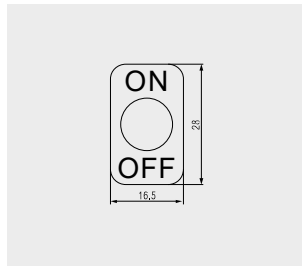
Basic types 1841 and 1843  
single-pole

Quick-connect terminal 4.8 x 0.8



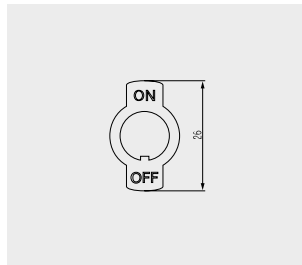
Basic type 1842  
double-pole

Quick-connect terminal 4.8 x 0.8




Identification plate  
240.001.011

Aluminum identification plate to plugging on and with black inscription "ON" and "OFF"

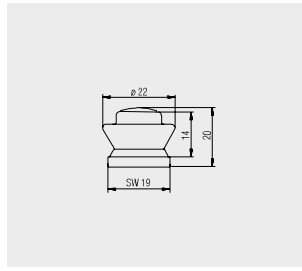


Identification plate  
240.002.011


Identification plate made of CuZn nickel-plated for plugging on as well as with twist protection and stamped inscription "ON" and "OFF"



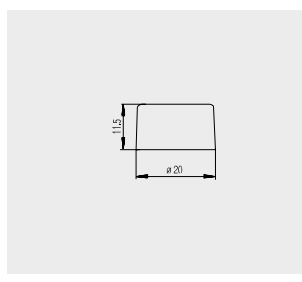
Protection cap  
343.002.023




Neopren®-cap for pushbutton (M12 x 0.75) basic type 1840 as dust and water protection. Pushbutton plate on top of cap is CuZn nickel plated.



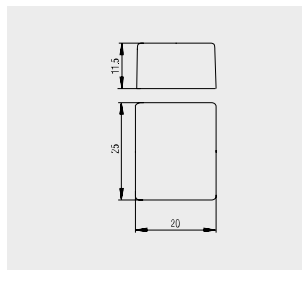
Pushbutton  
205.008.011



Pushbutton made of PA black, with diameter 20 mm for assembly by customer on 1841.6101 and 1842.6101



Pushbutton  
203.106.011



Pushbutton made of PA black, rectangular 20 x 25 mm for assembly by customer on 1841.6101 and 1842.6101

- ROCKER SWITCHES
- PUSHBUTTON SWITCHES**
- TOGGLE SWITCHES
- SLIDE SWITCHES
- ROTARY SWITCHES
- FOOT SWITCHES
- TACT AND KEY SWITCHES
- SNAP-ACTION SWITCHES
- MICRO-SIGNAL SWITCHES
- SENSORS
- ECO
- PUSH/DRIVE