



SERIES 5000 - ROUND PUSHBUTTON SWITCHES

FOR AT LEAST 200 000 MECHANICAL SWITCHING CYCLES






PRODUCT FEATURES

- Attractive, round pushbutton switch
- Efficient contact system at least 200 000 mechanical switching cycles
- Variants with sealing cap for IP 54 dust and water protection
- Appliance cut-out with diameter 16 mm, alternatively with fixing pin

ON REQUEST

- Other colors
- Actuator printing
- Snap-on for greater wall thickness
- Cable assembly

Mechanical life endurance	20E4
Proof tracking	250 PTI
Protection type	IP 40 IP 54 (in variants with sealing cap)
Ambient temperature	terminal side -20 °C ... +85 °C actuating side -20 °C ... +55 °C
Flammability	UL 94 V-2
Glow wire test temperature	850 °C
Material actuator housing terminals	PA glass fiber-reinforced PA glass fiber-reinforced silver plated
Type of fastening	Snap fastening
Plug force of the terminals	≤ 64 N
Approval marks	 /  / 
Suitable for appliances of protection class II	

ROCKER SWITCHES

PUSHBUTTON SWITCHES

TOGGLE SWITCHES

SLIDE SWITCHES

ROTARY SWITCHES

FOOT SWITCHES

TACT AND KEY SWITCHES

SNAP-ACTION SWITCHES

MICRO-SIGNAL SWITCHES

SENSORS







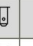












ECO


PUSHBUTTONS



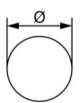
SERIES 5000 - ROUND PUSHBUTTON SWITCHES

FOR AT LEAST 200 000 MECHANICAL SWITCHING CYCLES

 single-pole	Actuator color / printing	Housing color	4 (2) A 250 V AC 5E4	4 A 125 V AC 1/10 HP	2 A 250 V AC 1/10 HP	Terminal type	Terminal description	Contact distance (mm)	Contact material	Pretravel max. (mm)	Total travel / stroke (mm)	Miscellaneous	Stock version
Normally open contact (SPNO)													
5000.0101			<input type="radio"/>	<input type="radio"/>	<input type="radio"/>		2.8	IV 3	Ag	2.0 ±0.4	4.0		<input type="radio"/>
5000.0103			<input type="radio"/>	<input type="radio"/>	<input type="radio"/>		2.8	IV 3	Ag	2.0 ±0.4	4.0		<input type="radio"/>
5000.0104			<input type="radio"/>	<input type="radio"/>	<input type="radio"/>		2.8	IV 3	Ag	2.0 ±0.4	4.0		<input type="radio"/>
5000.0211			<input type="radio"/>	<input type="radio"/>	<input type="radio"/>		2.8	IV 3	Ag	2.0 ±0.4	4.0	fixing pin	<input type="radio"/>
5000.0212			<input type="radio"/>	<input type="radio"/>	<input type="radio"/>		2.8	IV 3	Ag	2.0 ±0.4	4.0	fixing pin	<input type="radio"/>
5000.0501			<input type="radio"/>	<input type="radio"/>	<input type="radio"/>		2.8	IV 3	Ag	2.0 ±0.4	4.0	fixing pin with IP 54 sealing cap	<input type="radio"/>

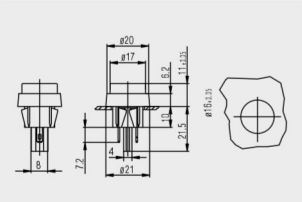



Basic type 5000

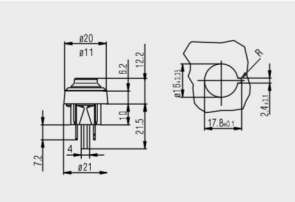



X = Wall thickness

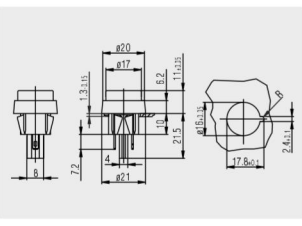
x	Ø
1.4 ... 1.7	16.0 ^{+0.05}




 Quick-connect terminal 2.8 x 0.8



 Quick-connect terminal 2.8 x 0.8 (with fixing pin and IP 54 sealing cap) 5000.0501



 Quick-connect terminal 2.8 x 0.8 (with fixing pin) 5000.0211 and 5000.0212

- ROCKER SWITCHES
- PUSHBUTTON SWITCHES**
- TOGGLE SWITCHES
- SLIDE SWITCHES
- ROTARY SWITCHES
- FOOT SWITCHES
- TACTILE KEY SWITCHES
- SNAP-ACTION SWITCHES
- MICRO-SIGNAL SWITCHES
- SENSORS
- ECC
- PUSH-IN/OUT