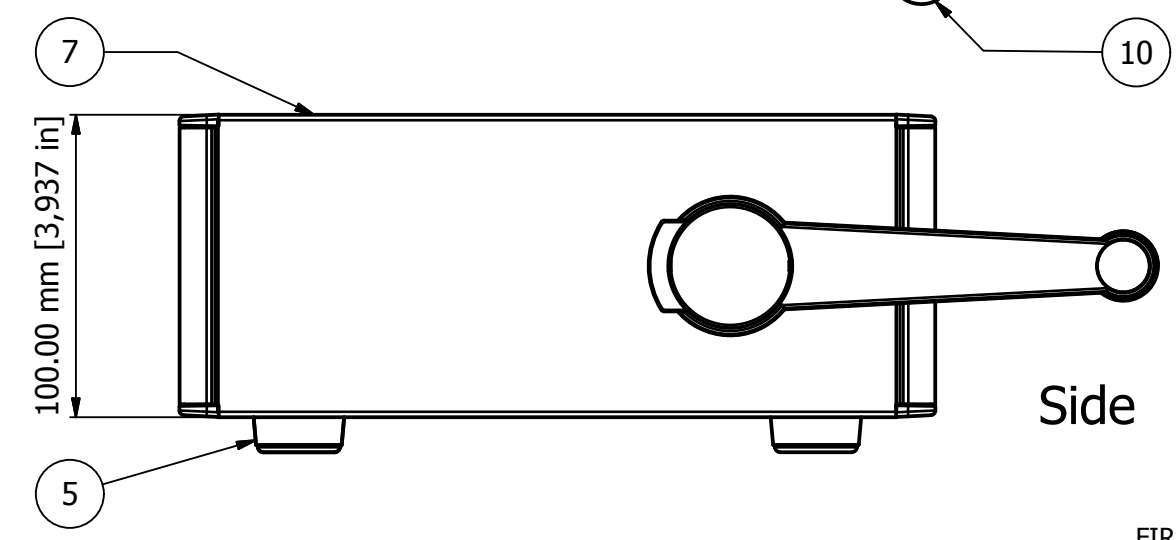
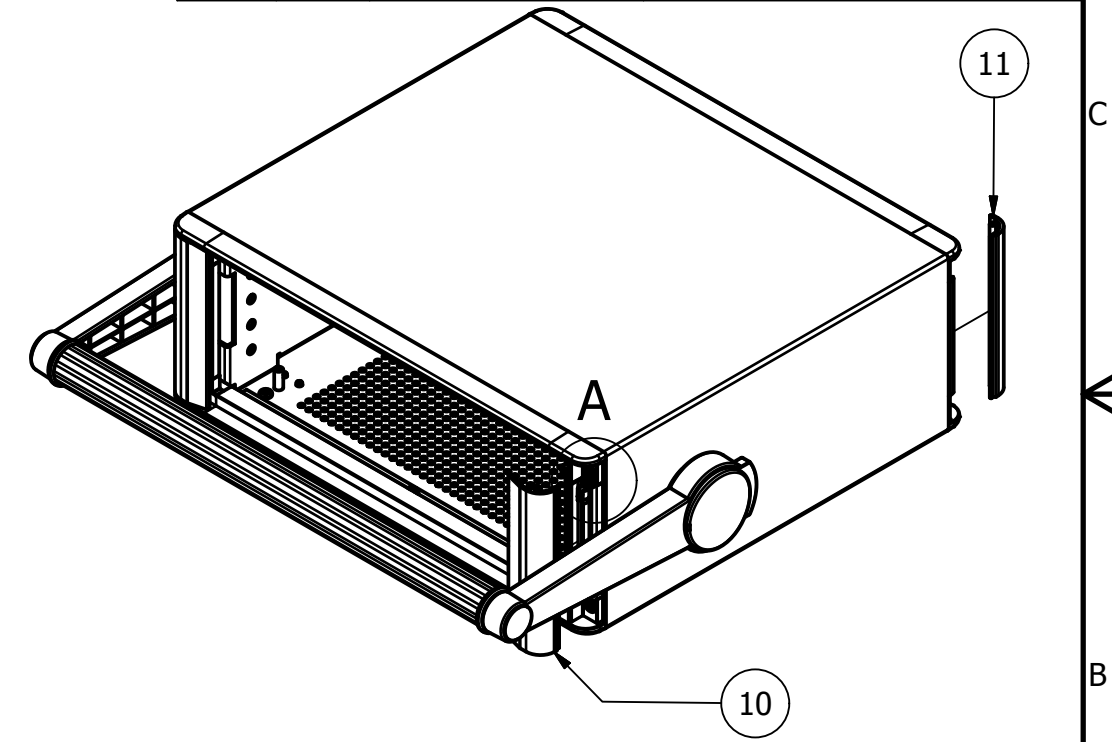


PARTS LIST			
ITEM	QTY	PART NUMBER	DESCRIPTION
1	8	M3x8mm Pan	Front/Rear Panel Screws
2	8	M4x16mm CSK	Bezel Assembly Screws
3	2	M3x6mm CSK	Base Panel Screws
4	8	M6420000	Clip for Trims
5	4	M6420104	Technofeet
6	2	M6401034	Front/Rear Bezel
7	1	M6402324	Wrap Around Cover
8	1	M6403334	Base/Internal Sides Sub Assy
9	1	M6403434	Rear Panel - 1.5 mm thick
10	2	M6400052	Front Trim
11	2	M6400072	Rear Trim
12	2	AS055782	Bail Arm Kit
13	1	M6404274	Handle Bar

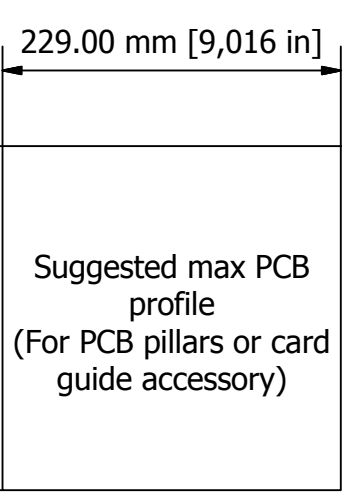
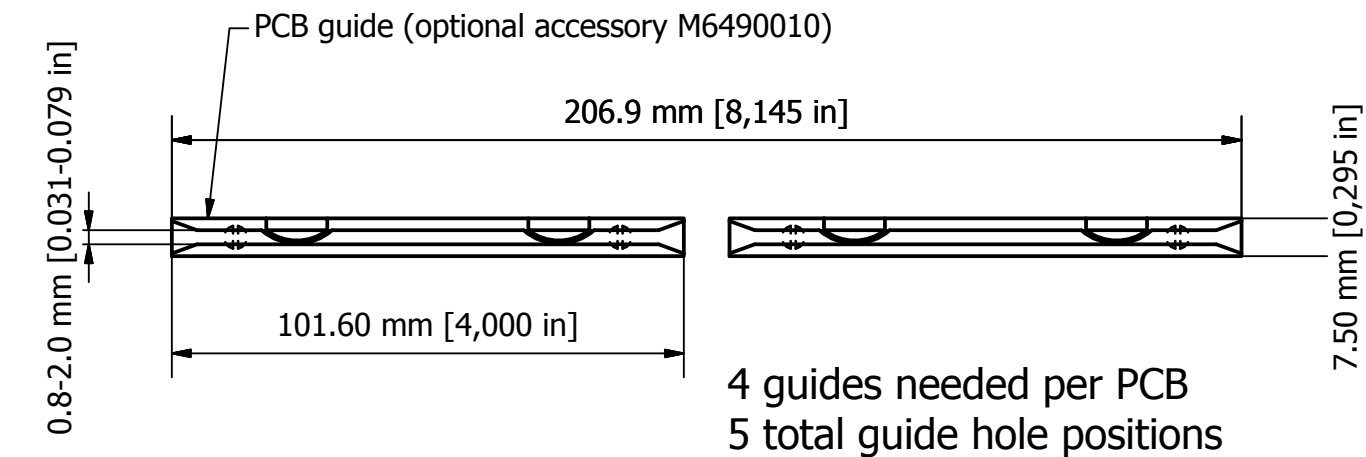
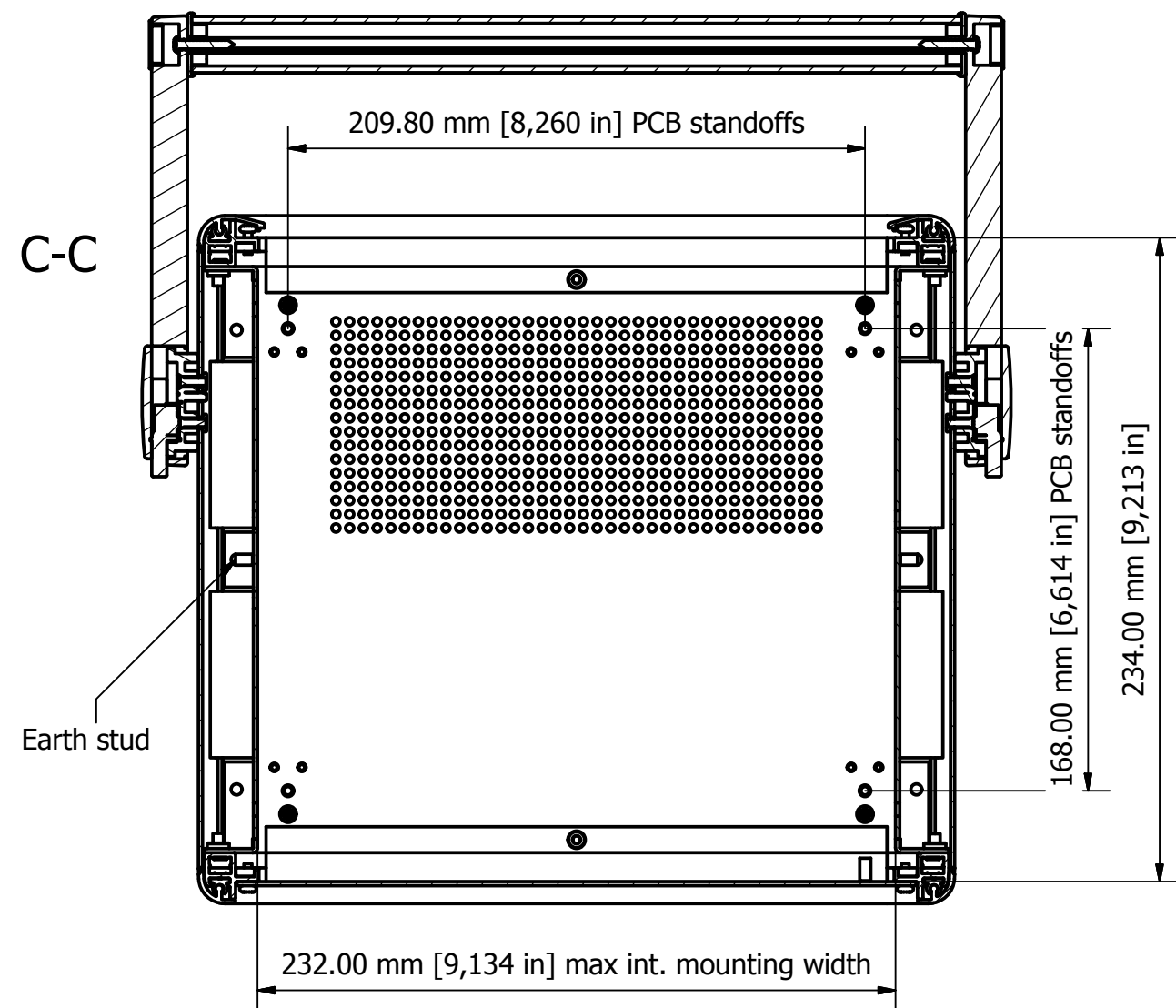
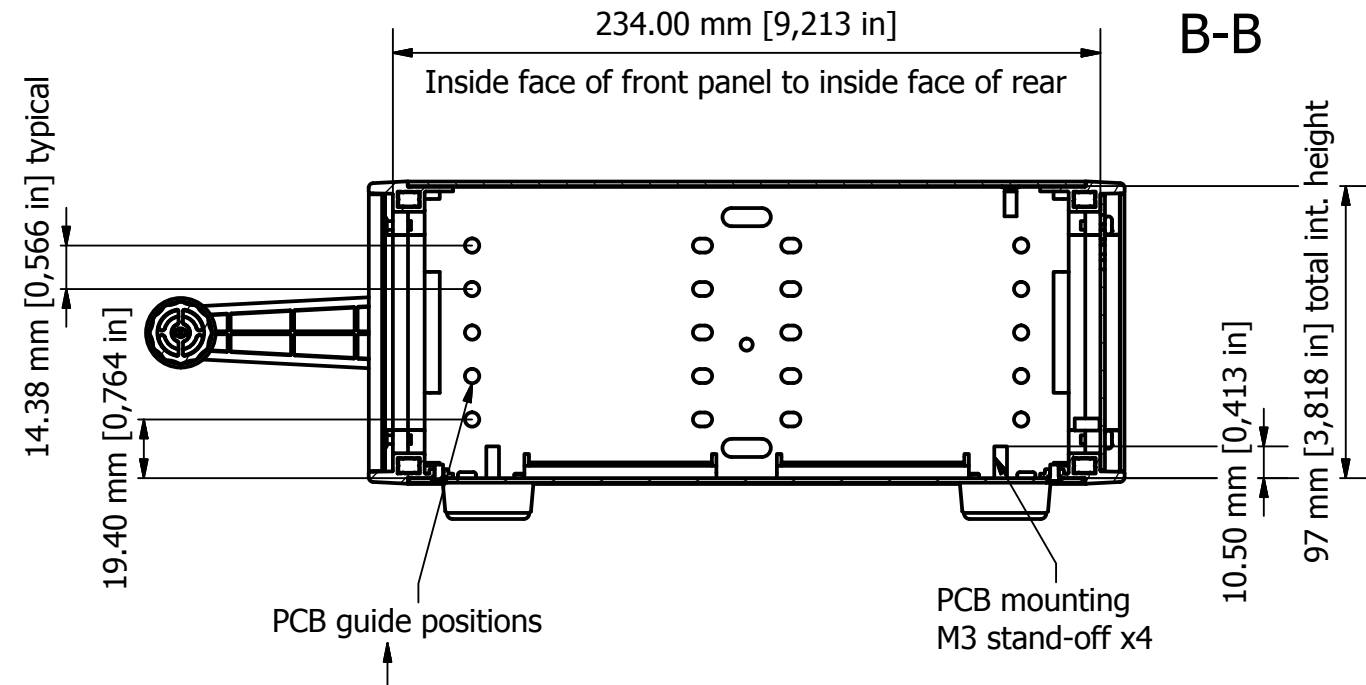
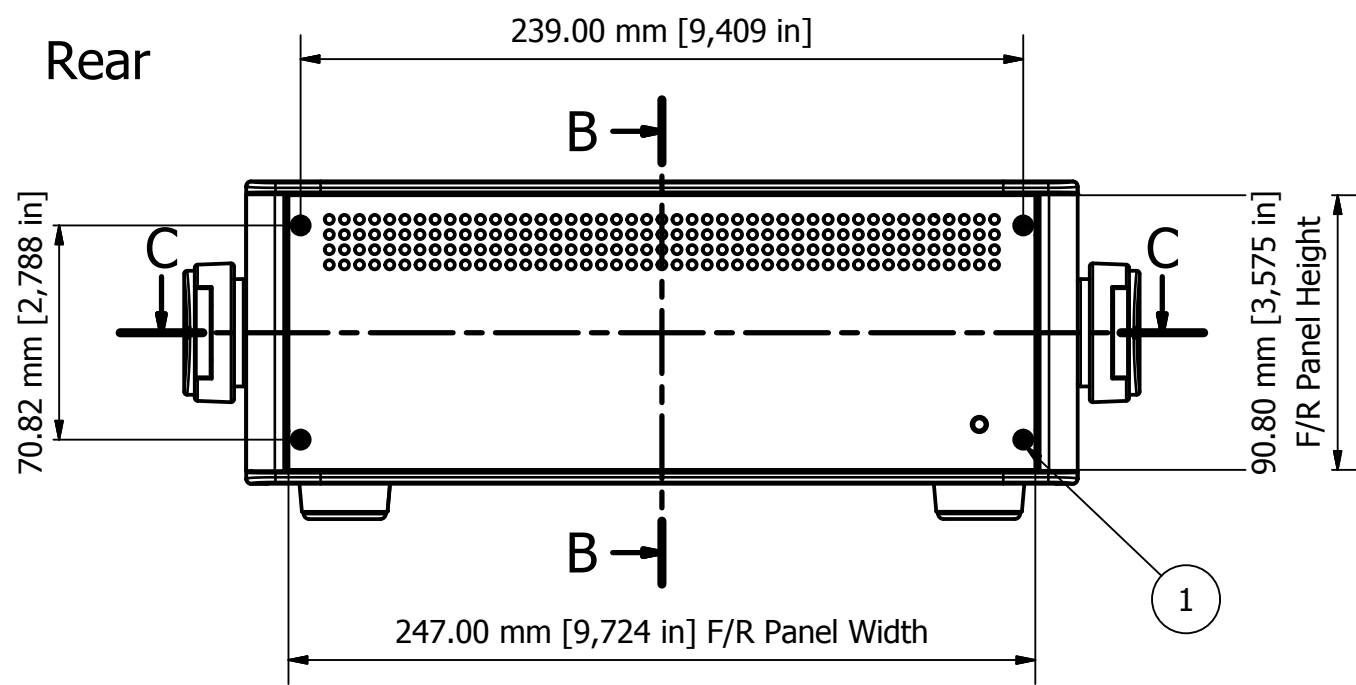


Front panel (M6400702) sold seperately

FIRST ANGLE PROJECTION

Designed by L Clark	Description Technomet R210H - Anthracite RAL 7016	Date 28/09/2016	Scale 1:2.5
METCASE ENCLOSURES 15 Brunel Way, Segensworth East, Fareham, Hampshire, PO15 5TX, UK. Tel: +44 (0)1489 583858 Email: metcase@okw.co.uk		METcase™ www.metcase.com Part Number M6427134	
		Issue 1	Sheet 1 / 2

© OKW Enclosures Ltd (Date as shown). This drawing contains proprietary information of OKW Enclosures Ltd and is tendered subject to the following conditions. The information be retained in confidence, not be reproduced or copied, and not be used or incorporated in any product, unless permission is obtained in writing from OKW Enclosures Ltd.



- Notes:
- 1) Case is fabricated from 1.5 mm aluminium sheet with diecast and extrusion bezels.
 - 2) Case is powder coat painted RAL 7016 fine texture anthracite.
 - 3) Supplied with 4 colour matching Technofeet.
 - 4) Cover, rear and chassis assembly all have M4 x 8 mm earth studs.
 - 5) Front panel screws supplied with each case. (M3 x 8 mm pan).

FIRST ANGLE PROJECTION

Designed by L Clark	Description Technomet R210H - Anthracite RAL 7016	Date 28/09/2016	Scale 1:2.5
METCASE ENCLOSURES 15 Brunel Way, Segensworth East, Fareham, Hampshire, PO15 5TX, UK. Tel: +44 (0)1489 583858 Email: metcase@okw.co.uk		METcase™ www.metcase.com Part Number M6427134	
		Issue 1	Sheet 2 / 2