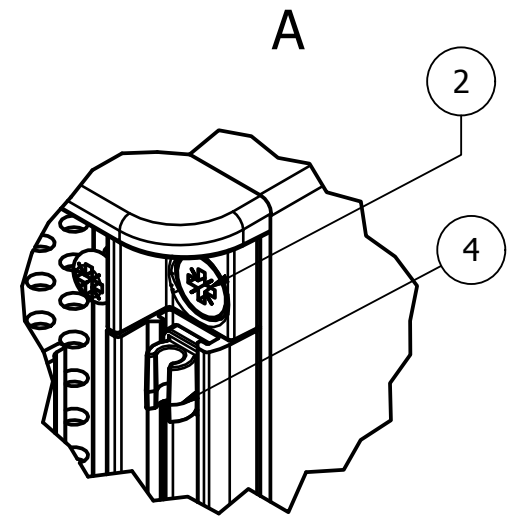
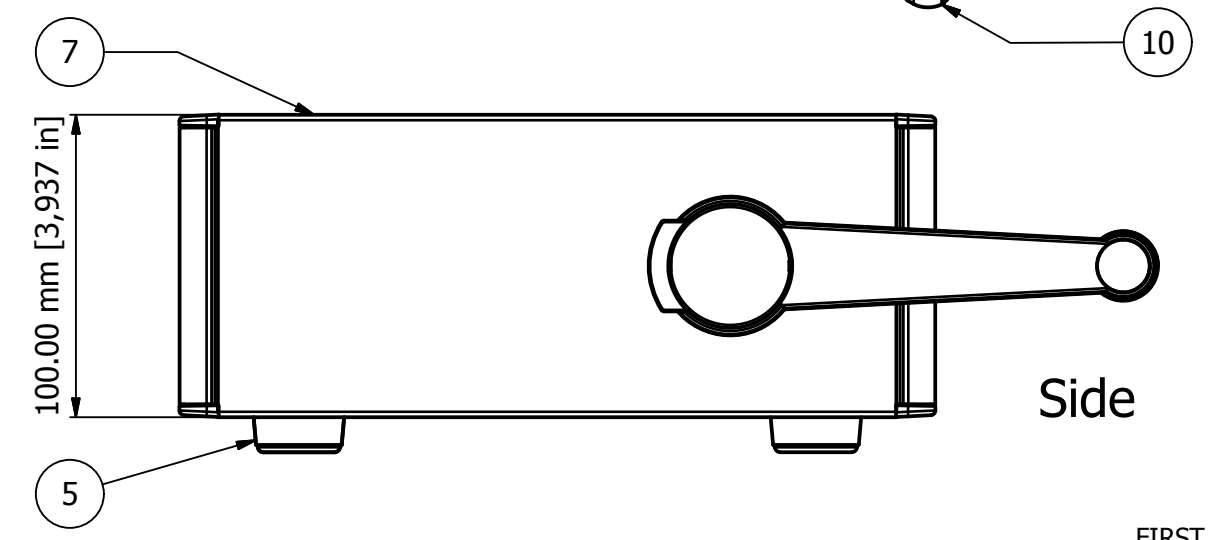
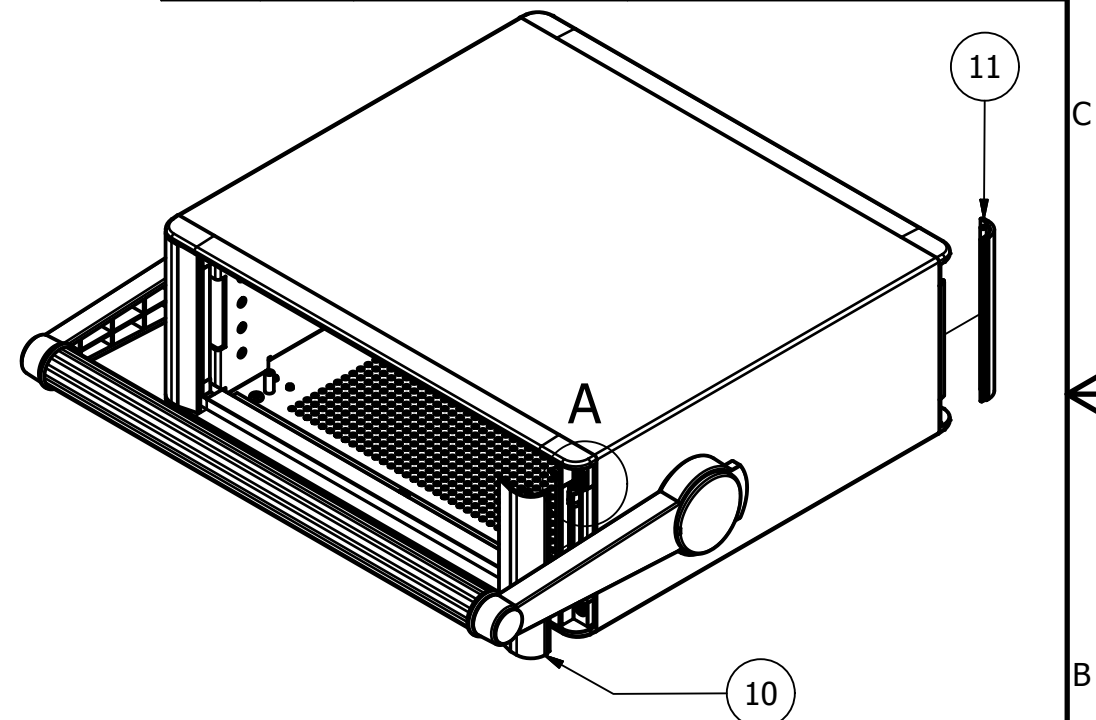


Front panel (M6400702) sold seperately



PARTS LIST			
ITEM	QTY	PART NUMBER	DESCRIPTION
1	8	M3x8mm Pan	Front/Rear Panel Screws
2	8	M4x16mm CSK	Bezel Assembly Screws
3	2	M3x6mm CSK	Base Panel Screws
4	8	M6420000	Clip for Trims
5	4	M6420105	Technofeet
6	2	M6401035	Front/Rear Bezel
7	1	M6402325	Wrap Around Cover
8	1	M6403335	Base/Internal Sides Sub Assy
9	1	M6403435	Rear Panel - 1.5 mm thick
10	2	M6400053	Front Trim
11	2	M6400073	Rear Trim
12	2	AS054231	Bail Arm Kit
13	1	M6404275	Handle Bar

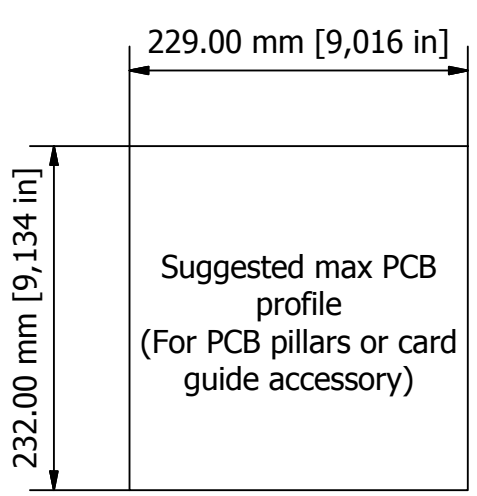
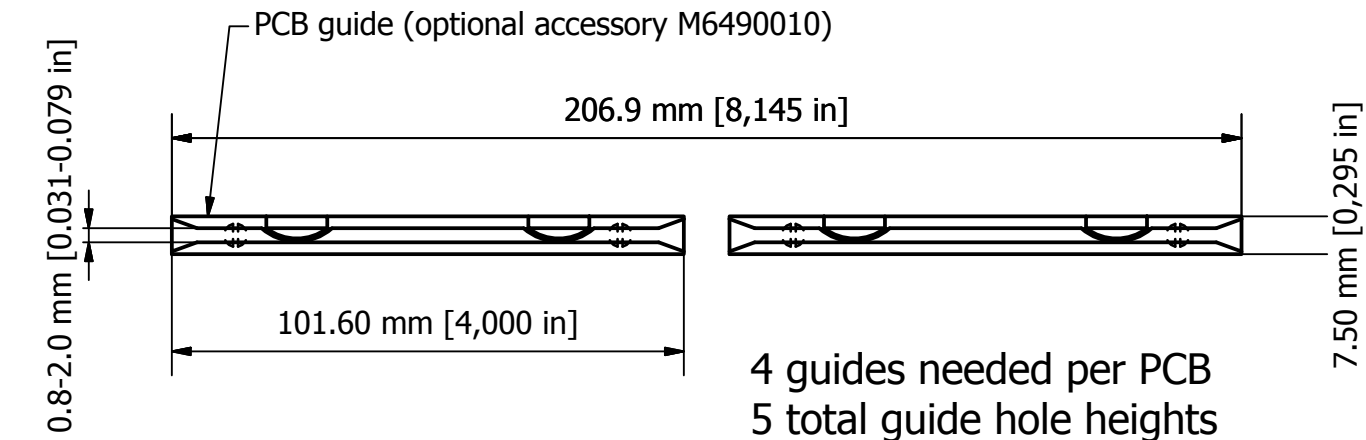
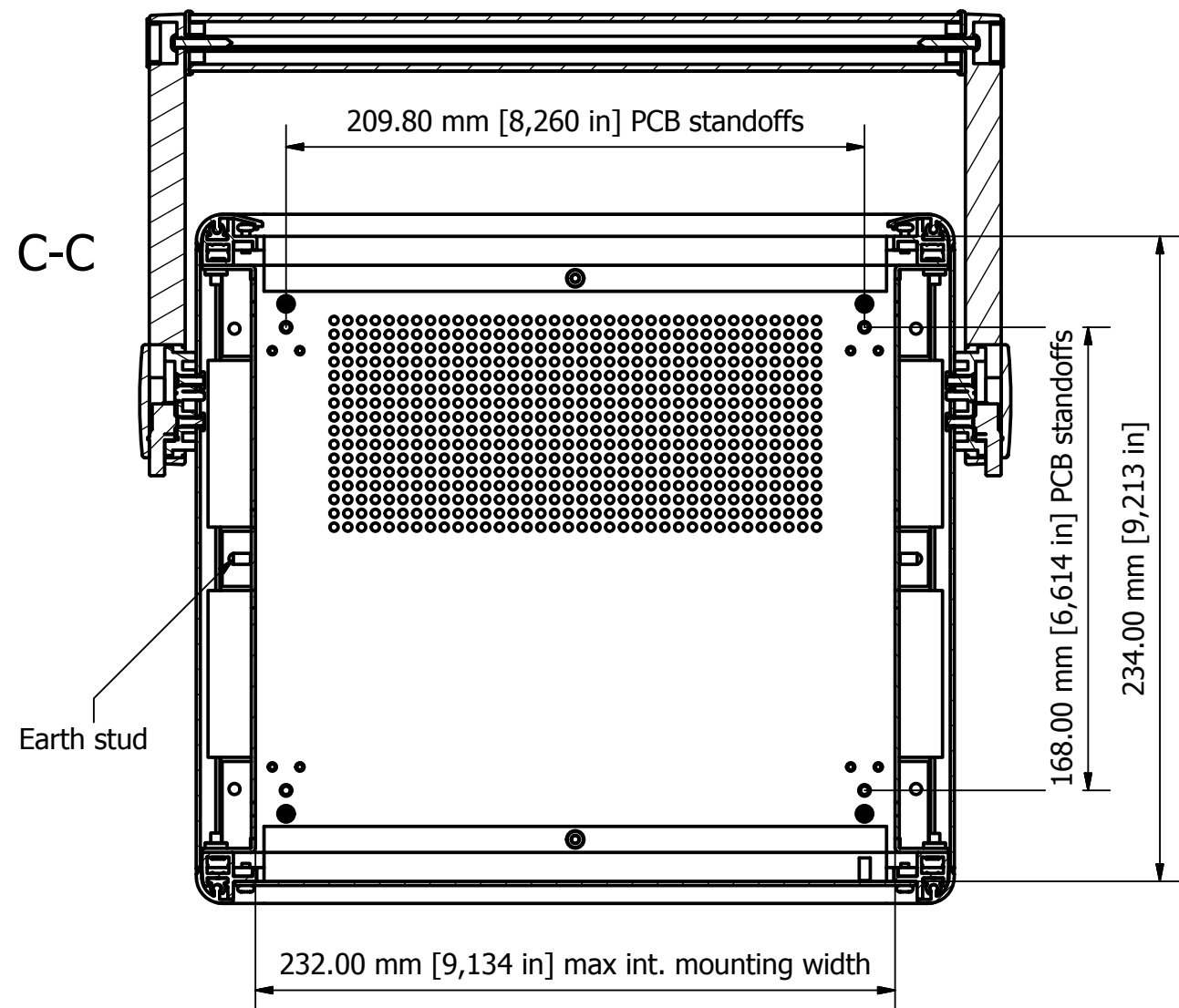
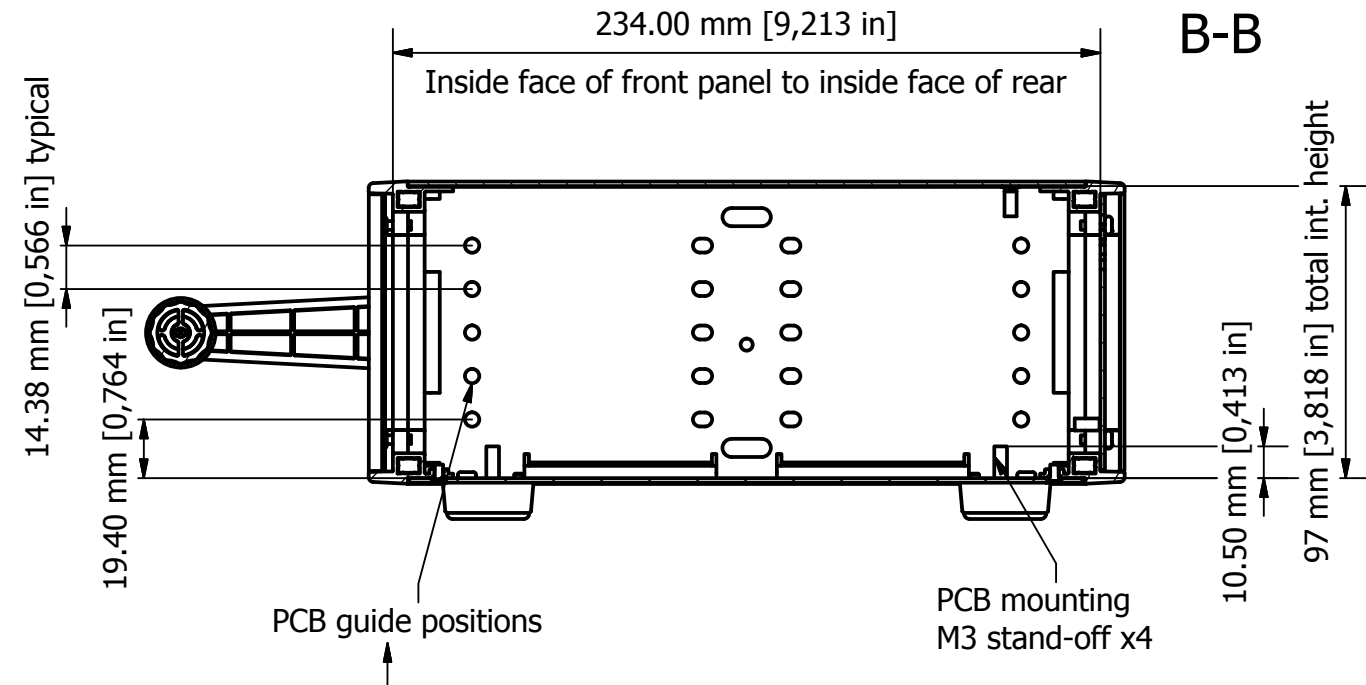
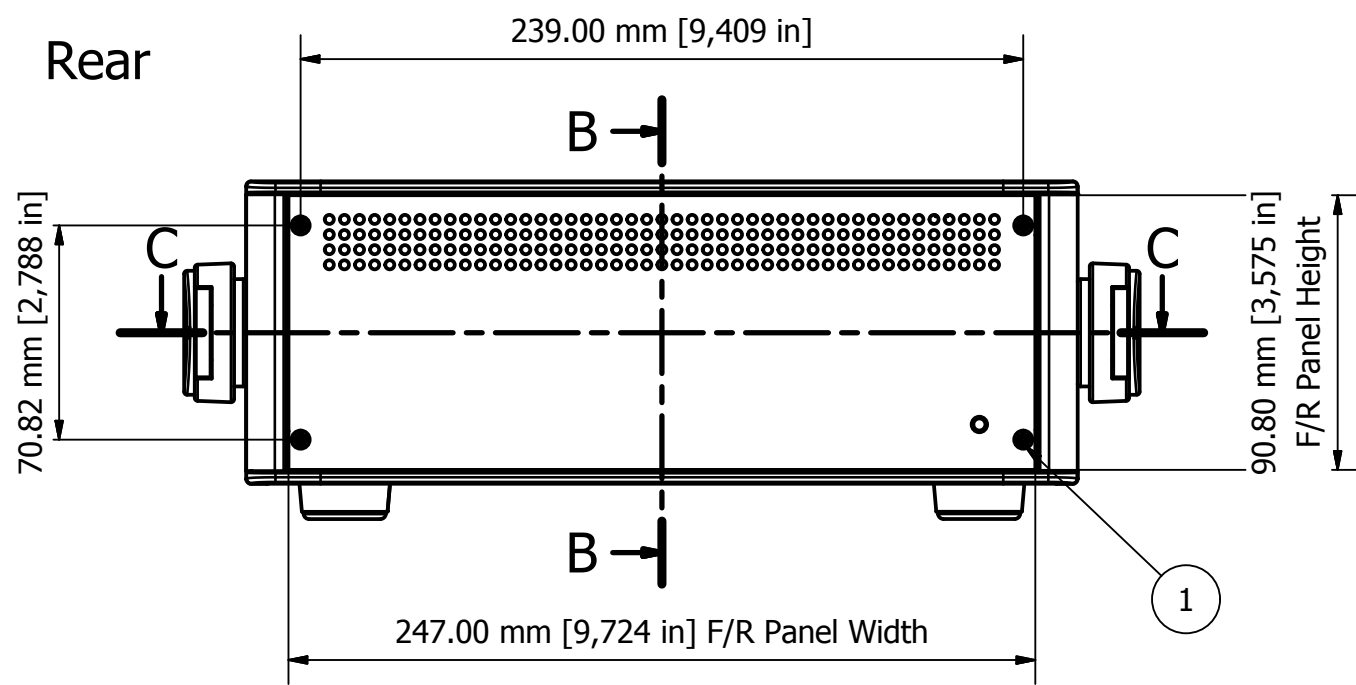


Side

FIRST ANGLE PROJECTION

Designed by L Clark	Description Technomet R210H - Light Grey RAL 7035	Date 28/09/2016	Scale 1:2.5
<b>METCASE ENCLOSURES</b> 15 Brunel Way, Segensworth East, Fareham, Hampshire, PO15 5TX, UK. Tel: +44 (0)1489 583858 Email: metcase@okw.co.uk		<b>METcase™</b> www.metcase.com Part Number <b>M6427135</b>	
		Issue 1	Sheet 1 / 2

© OKW Enclosures Ltd (Date as shown). This drawing contains proprietary information of OKW Enclosures Ltd and is tendered subject to the following conditions. The information be retained in confidence, not be reproduced or copied, and not be used or incorporated in any product, unless permission is obtained in writing from OKW Enclosures Ltd.



- Notes:
- 1) Case is fabricated from 1.5 mm aluminium sheet with diecast and extrusion bezels.
  - 2) Case is powder coat painted RAL 7035 fine texture light grey.
  - 3) Supplied with 4 colour matching Technofeet.
  - 4) Cover, rear and chassis assembly all have M4 x 8 mm earth studs.
  - 5) Front panel screws supplied with each case. (M3 x 8 mm pan).

FIRST ANGLE PROJECTION

Designed by L Clark	Description Technomet R210H - Light Grey RAL 7035	Date 28/09/2016	Scale 1:2.5
<b>METCASE ENCLOSURES</b> 15 Brunel Way, Segensworth East, Fareham, Hampshire, PO15 5TX, UK. Tel: +44 (0)1489 583858 Email: metcase@okw.co.uk		<b>METcase™</b> www.metcase.com Part Number <b>M6427135</b>	
		Issue 1	Sheet 2 / 2