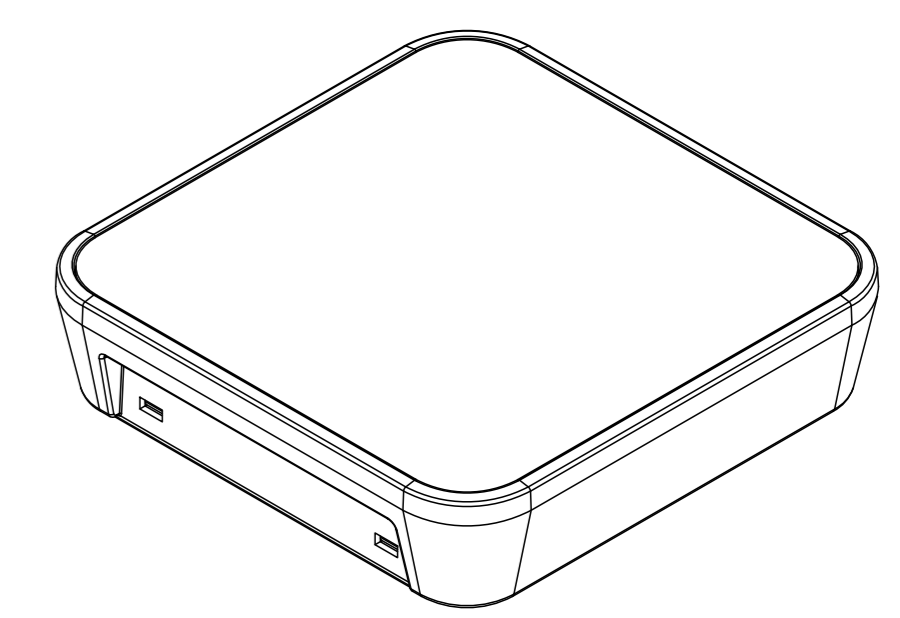
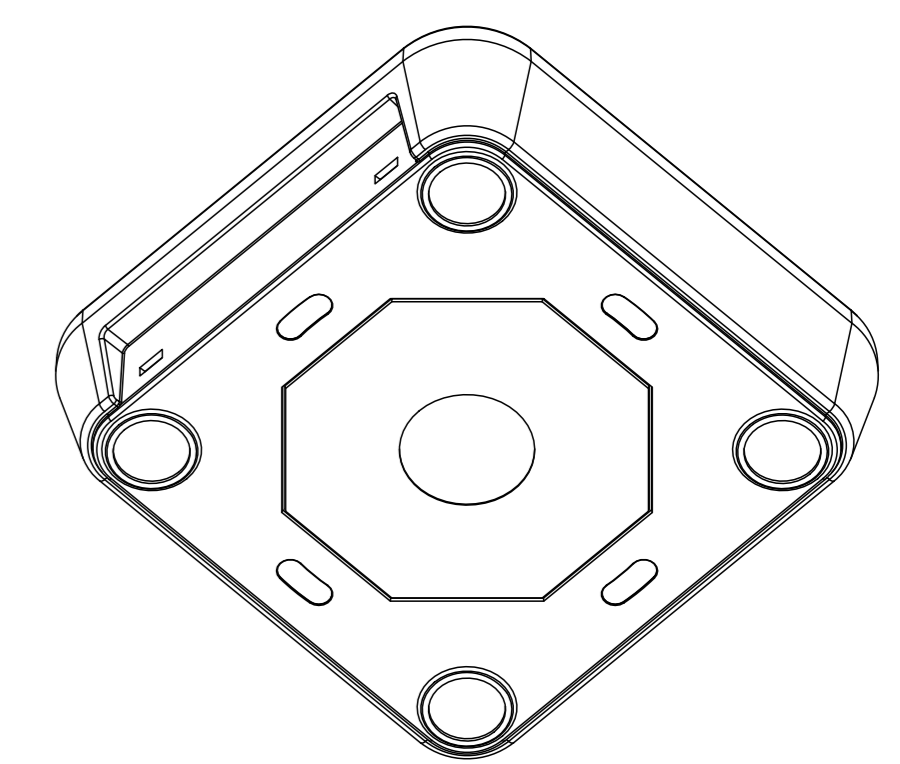
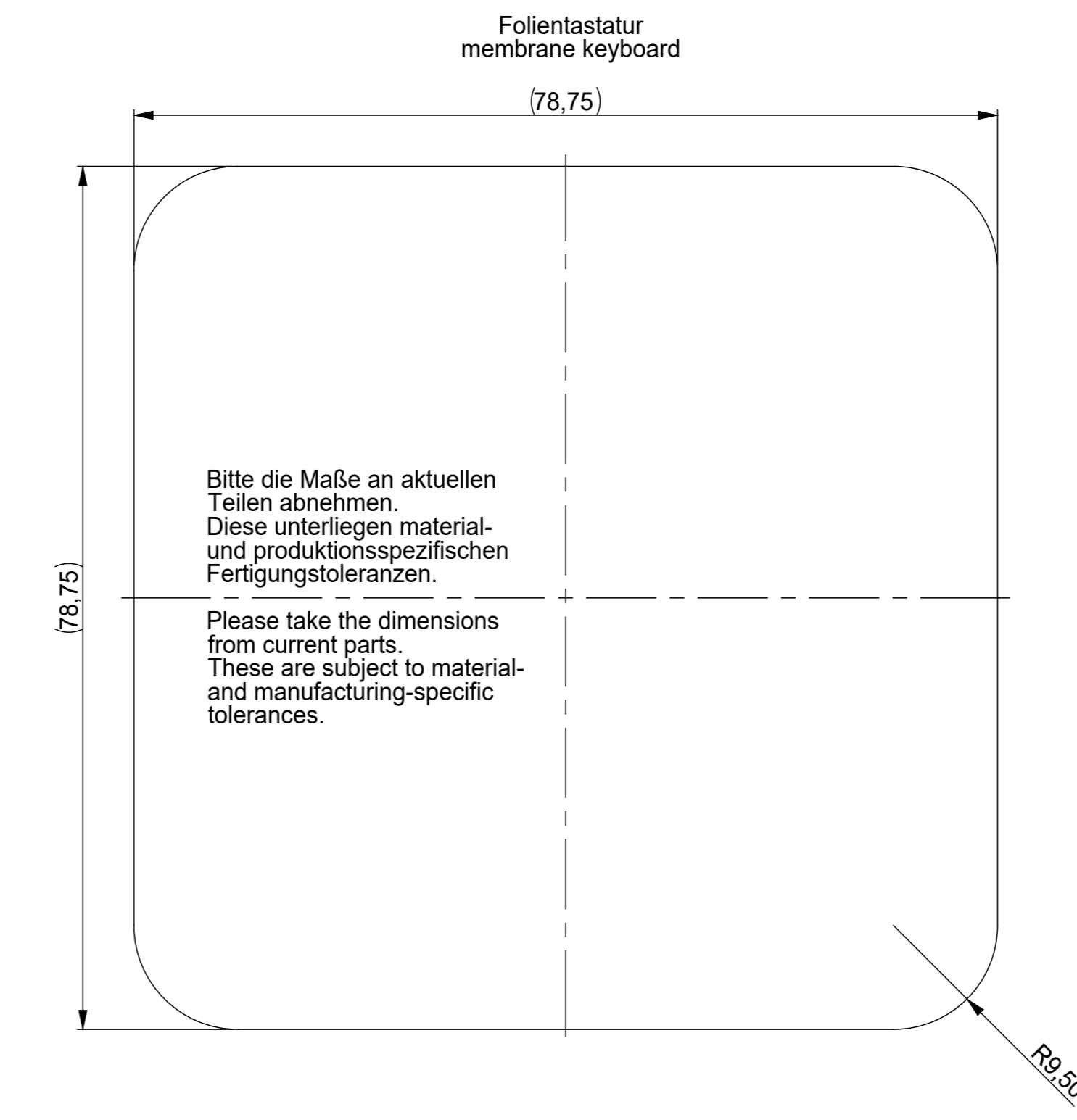
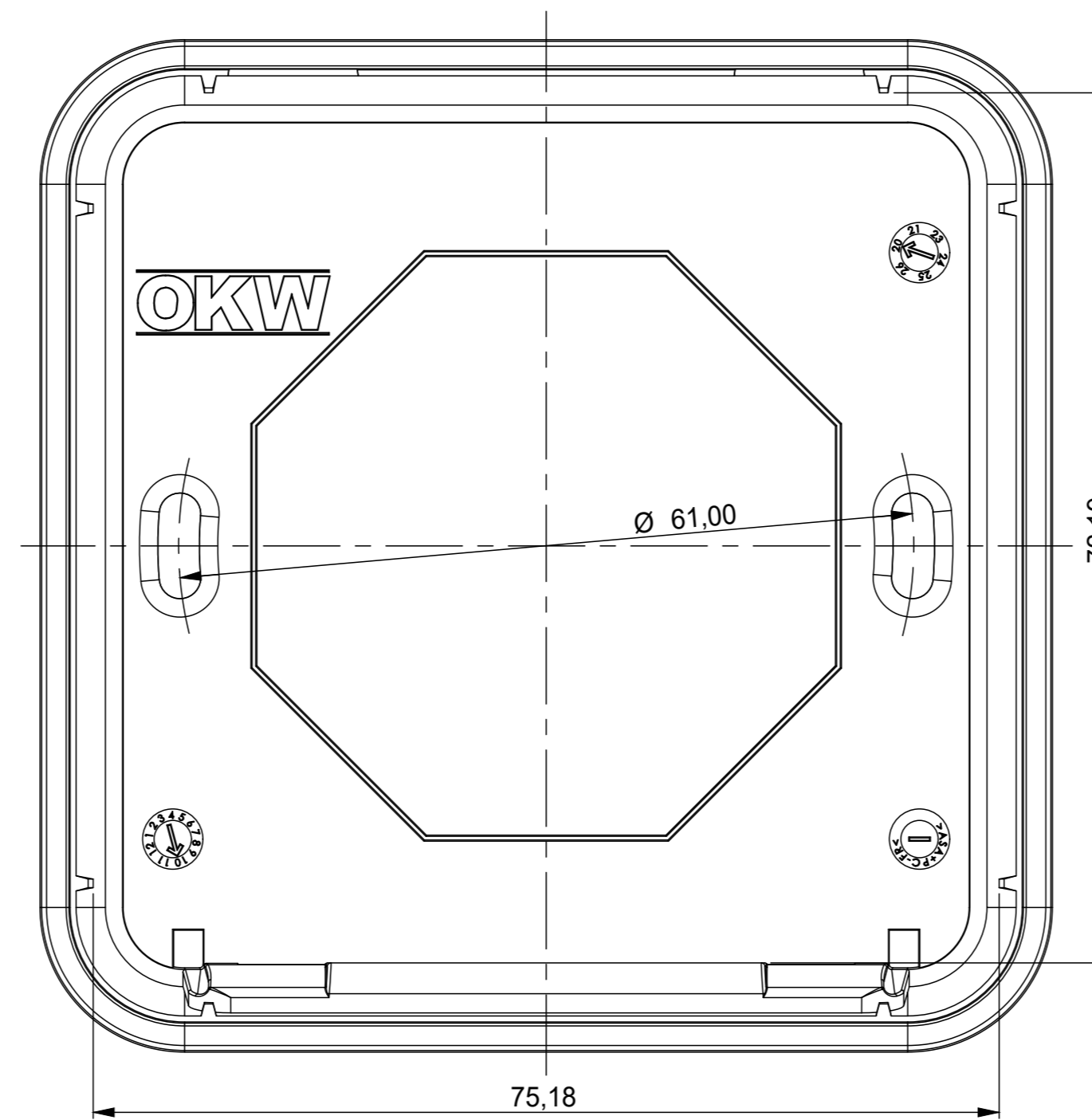
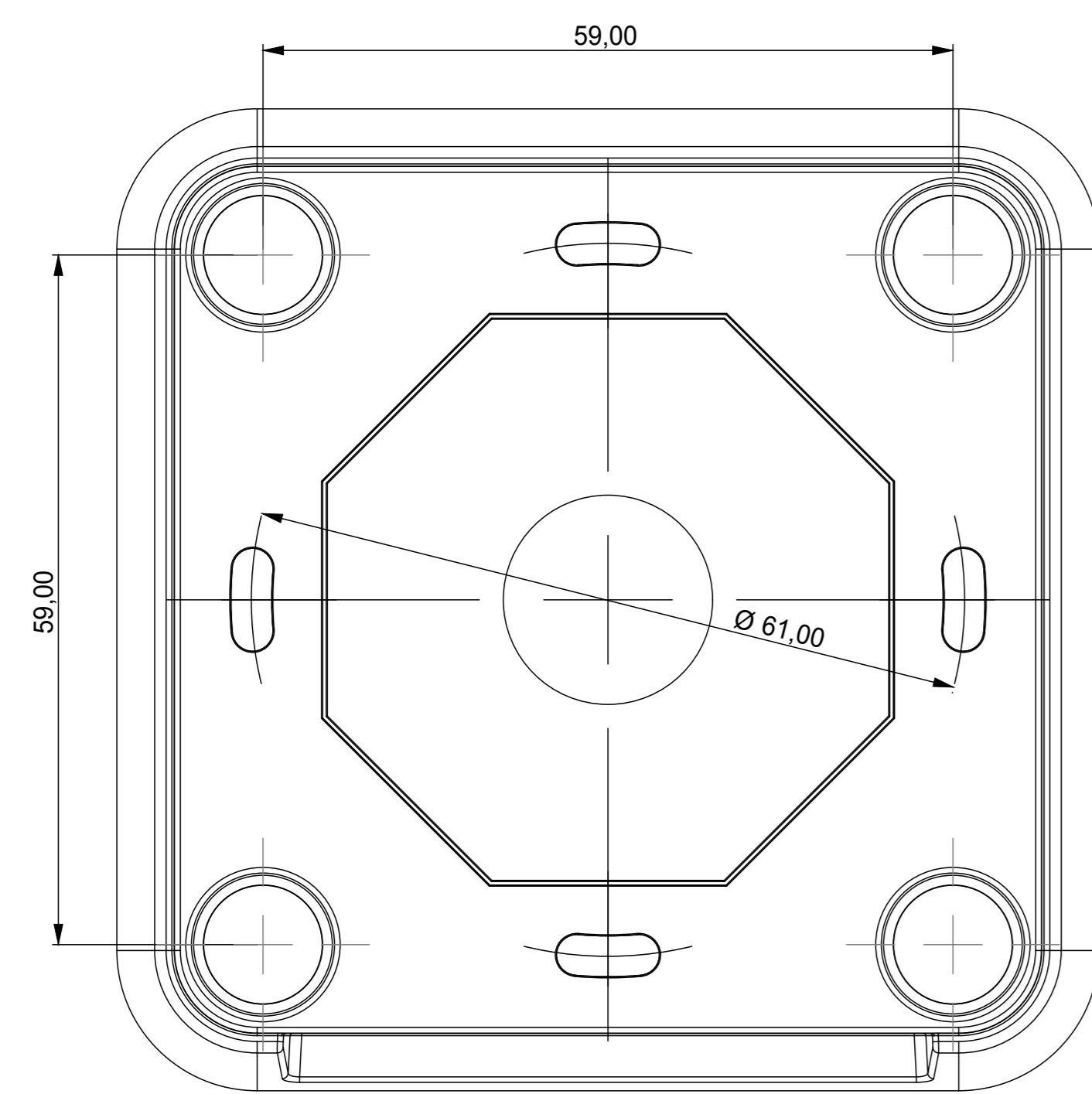
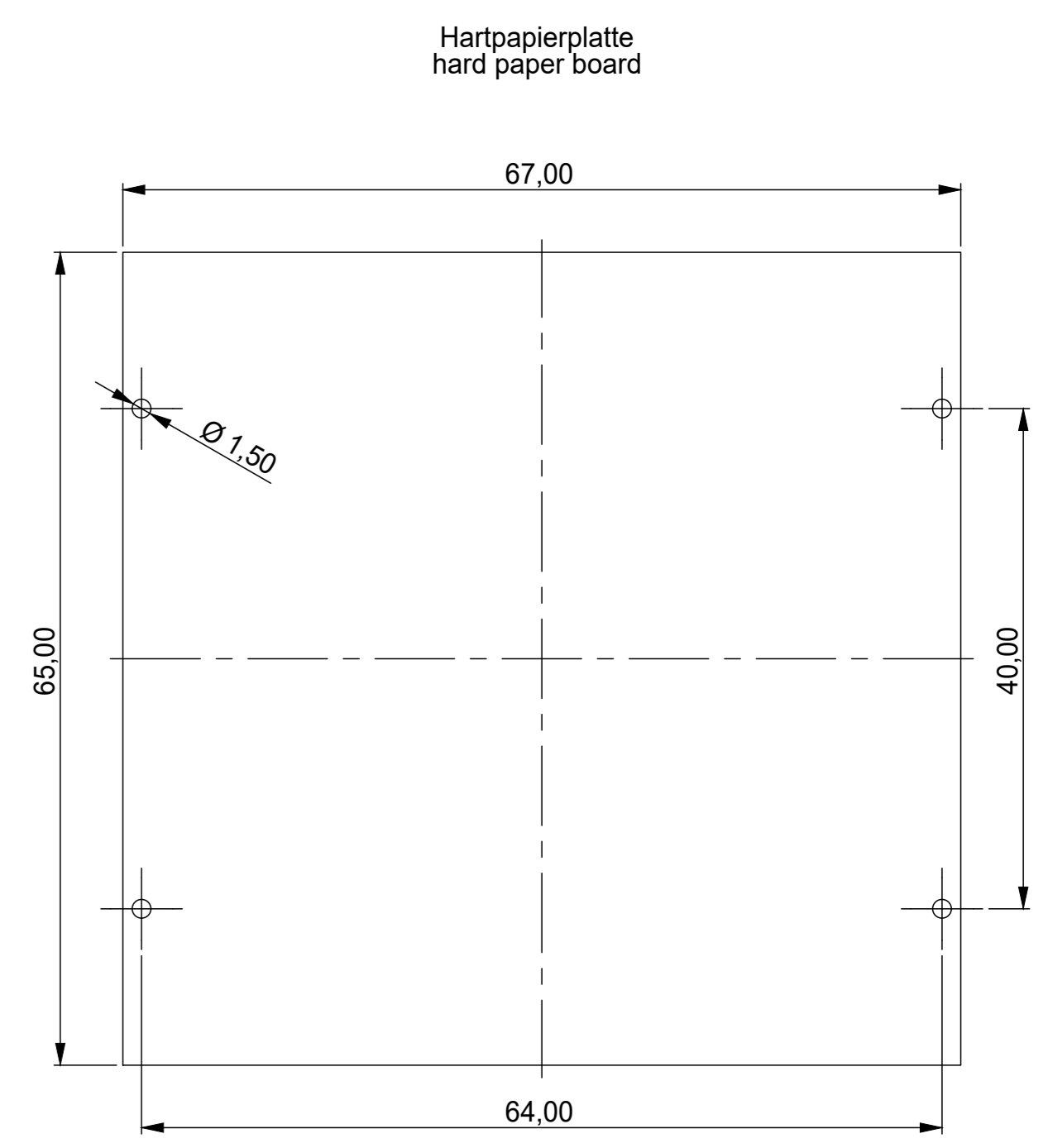
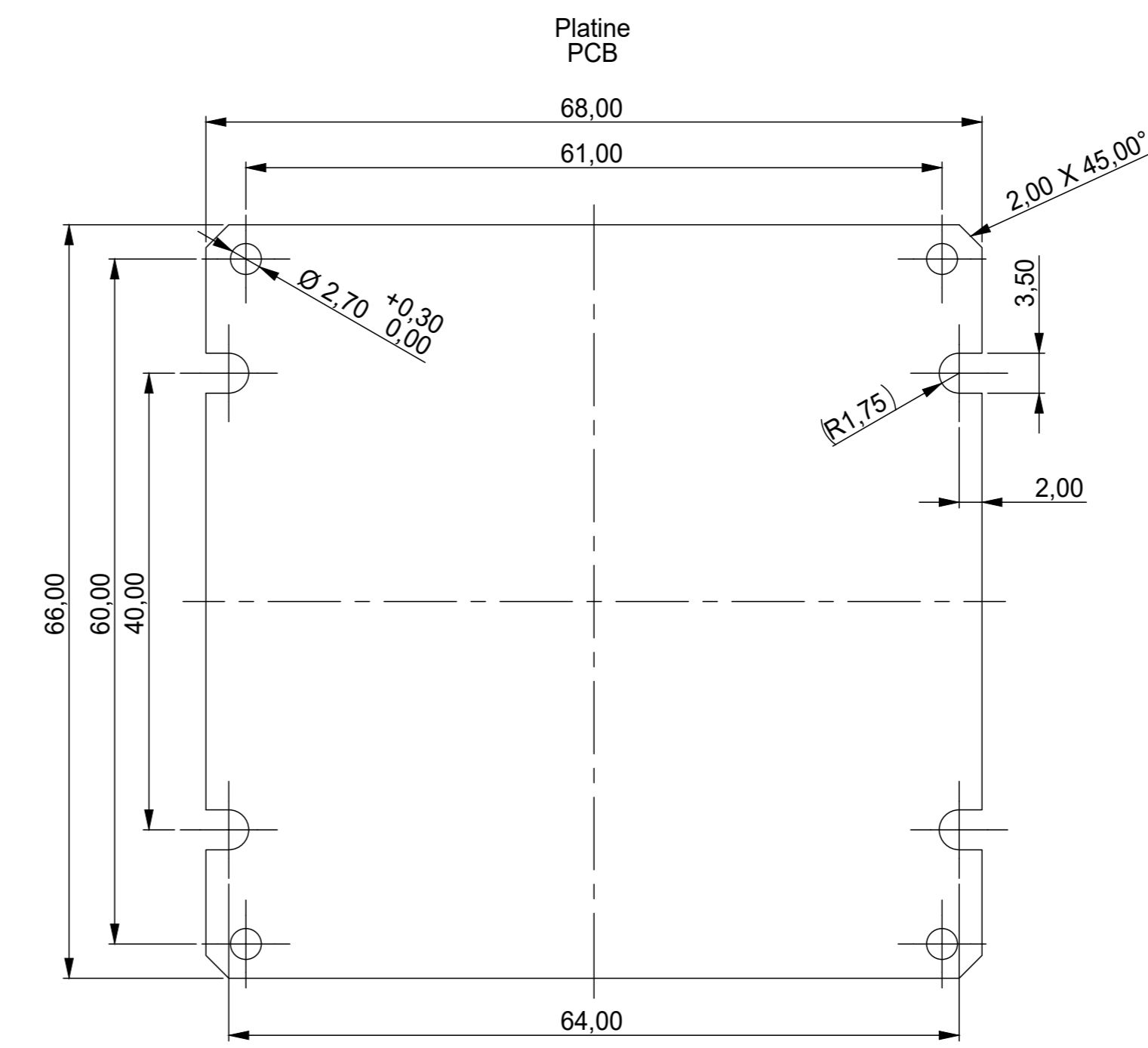
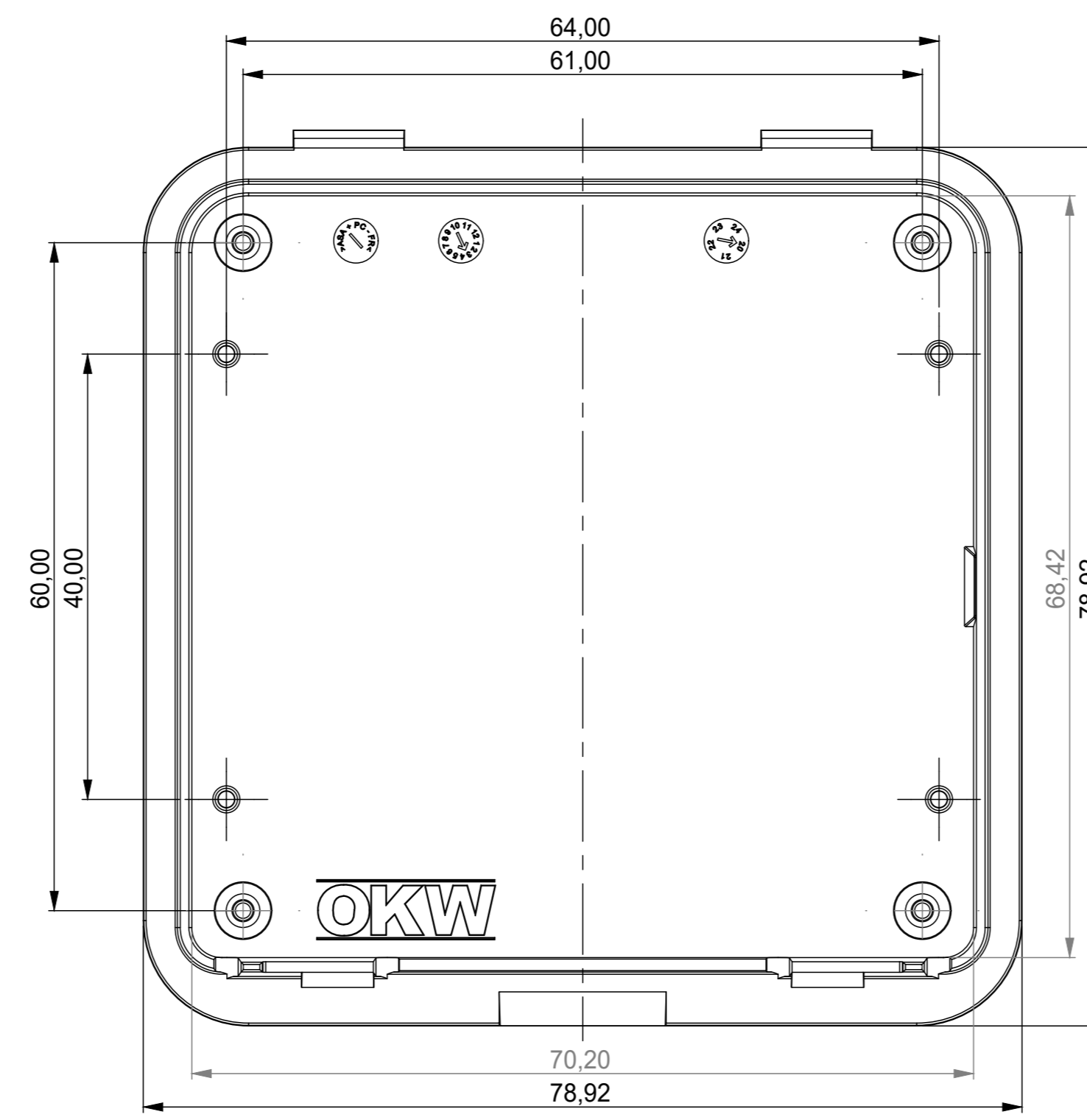
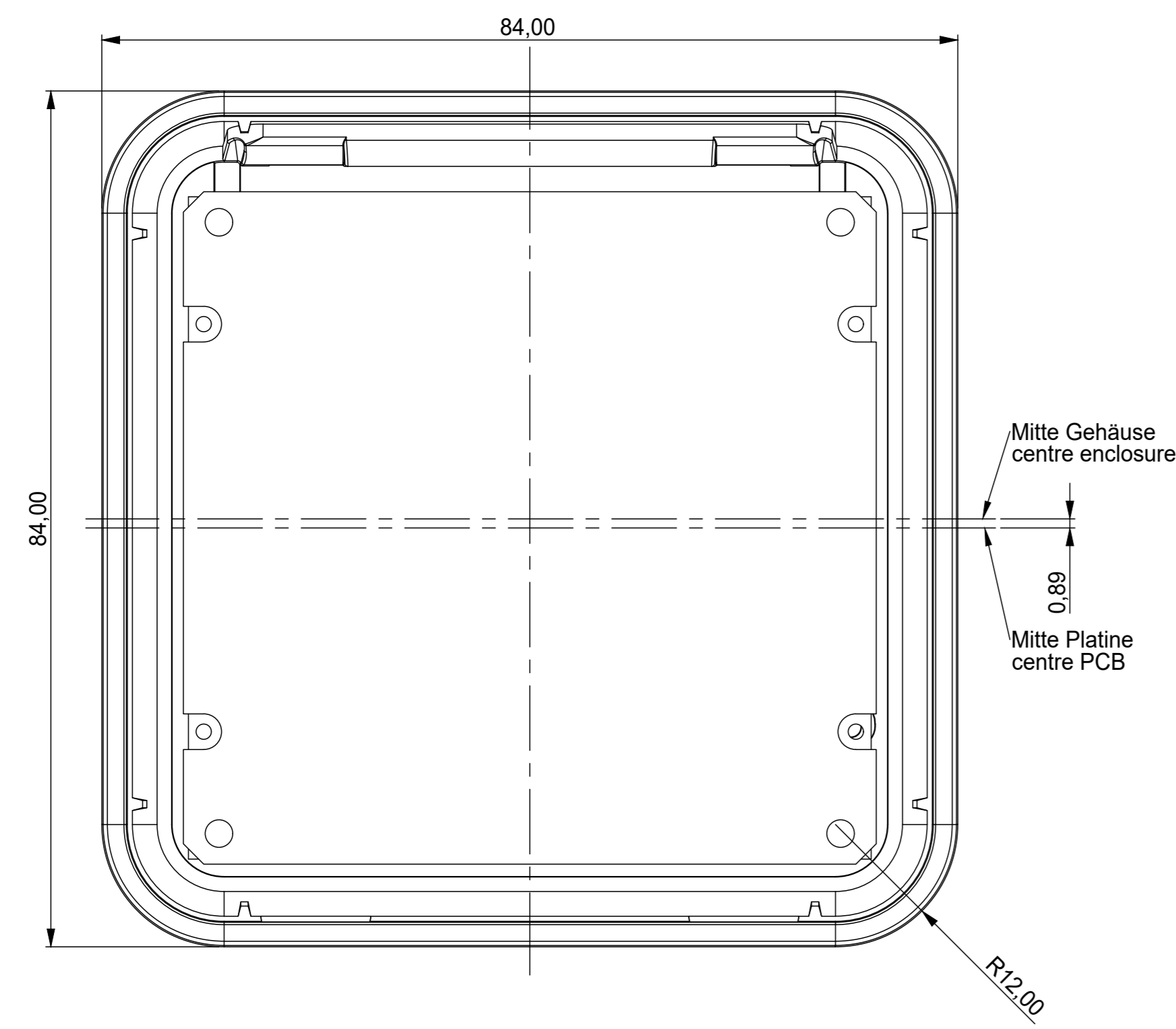


Darstellung ohne Folientastatur, Platinschrauben und Oberteil  
Illustration without membrane keyboard, PCB-Screws and top part



Iso Ansicht Massstab 1:1

<p>Bitte die Maße an aktuellen Teilen abnehmen. Diese unterliegen material- und produktionsspezifischen Fertigungstoleranzen.</p> <p>Please take the dimensions from current parts. These are subject to material- and manufacturing-specific tolerances.</p>	<p>Informationskopie with info updated Copy for information only not for approval</p>	<p>Erst. am: 11.02.2020 Erst. von: Philipp Schell Frage. von: Revised: 01</p>	<p>Zeichnung: DIN 18262 TIG 6 Volumen: Zuehningart: Kürzel:</p>	<p>Status: ENTWURFUNG Zuehningart: Kürzel: DN 6 Teil 2</p>	
	<p><small>Technical information: enclosure, without membrane keyboard, without PCB screws and top part of the enclosure. Illustration without membrane keyboard, PCB screws and top part of the enclosure. All dimensions should be verified only on actual models. All dimensions are indicated in millimeters. All dimensions are subject to material- and manufacturing-specific tolerances. Please take the dimensions from current parts. These are subject to material- and manufacturing-specific tolerances.</small></p>	<p><small>The document contains proprietary information of OKW Gehäuse Systeme GmbH and is intended to be used in the production of the enclosure. It is not to be reproduced or used for any other purpose without the prior written consent of OKW Gehäuse Systeme GmbH.</small></p>	<p><b>OKW</b> GEHÄUSE SYSTEME</p>	<p>SMART-PANEL S84 Gehäuse Ausführung 1 C6402107</p>	<p>M 2:1 Dokument: 12022020</p>
	<p>For more information contact us at: OKW Gehäuse Systeme GmbH, Eschweg 10, 42699 Solingen, Germany. www.okw-enclosure.com</p>				