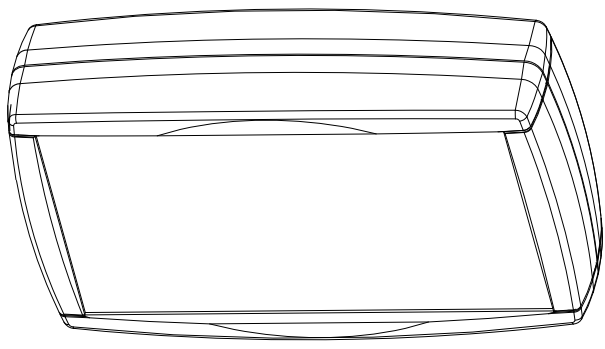
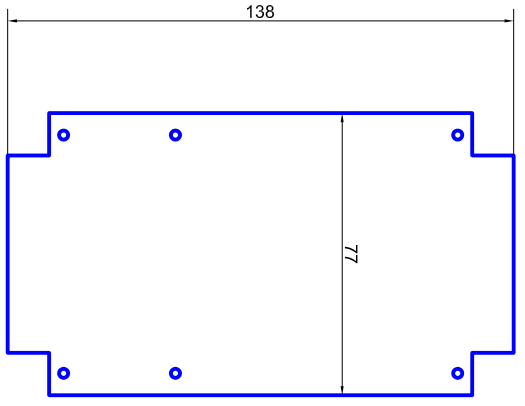


MAXIMUM PCB SIZE



		Assembly TN-33	
This document contains proprietary information of TEKO S.p.A. and is rendered subject to the conditions that the information be retained in confidence not be reproduced or copied and not be used or inspected in any product.	Subject to technical modification without prior notice. Topographical and other errors do not justify any claim for damages. All dimensions should be verified using an actual moulded part.	Part Number TN-33	Scale 1:1
Date 16/1/2010	Rev. Number 16/1/2010	Part Number TN-33	Scale 1:1
Date 16/1/2010	Rev. Number 16/1/2010	Part Number TN-33	Scale 1:1
Date 16/1/2010	Rev. Number 16/1/2010	Part Number TN-33	Scale 1:1
Date 16/1/2010	Rev. Number 16/1/2010	Part Number TN-33	Scale 1:1